

Varied and flexible usage

varied



flexible

Lösungen nach Mass

## Power columns made from aluminium

---

### The product from the house of GIFAS

Made from high quality, aluminium

⇒ weather-proof, impact-proof and corrosion-resistant

⇒ The latest solution for:

- Gated entrances
  - Parks
  - Gardens
  - Banks
  - Offices
  - Medical practices
  - Administrative buildings
  - Entrance halls
  - Living spaces
  - Industrial sites
  - Swimming baths
  - Conservatories
  - Railway stations
  - Airports
- etc.



**Ideal for many applications!**

## Power columns made from aluminium



### ⇒ Aluminium – Material of the future

These days, it's not just pure functionality that counts – increasing value is being placed on the design of the electrical engineering systems being used, especially in office buildings, but also in production halls and workshops, such as in the automobile industry or in machine engineering.

### ⇒ Aluminium offers both advantages:

#### *Functionality and attractive design!*

The high level of resistance to all external influences, the low weight and the high degree of flexibility in usage are additional advantages. The easily positioned power columns guarantee problem-free, safe and elegant supply of power and data technology to the workplace, whether from the ceiling or the floor.

### ⇒ Aluminium power columns:

#### *Manufactured to customer specifications!*

The new aluminium range features all the strengths of other GIFAS products: Tailor-made manufacturing.

- The closed aluminium profiles provide protection against water and humidity.
- All parts, including accessories, have an extremely robust design.
- The profile cover is compressed at the top, or screwed, and screwed on underneath, as well as sealed for exterior usage using a rubber seal. This guarantees maximum quality and reliability.
- The column height can be manufactured flexibly up to a height of three or six metres, depending the requirements and specifications of the customer.
- The easy-care surface resists dirt.
- Protection ratings: for exterior applications IP54 (with relevant built-in units), for interior applications IP20.

## Aluminium power columns GAS 100

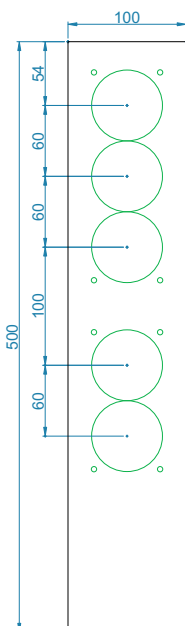
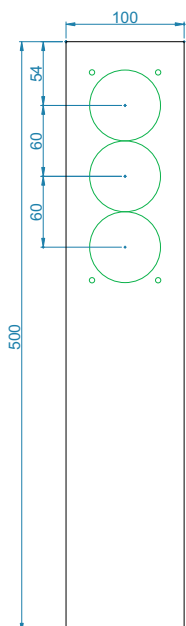
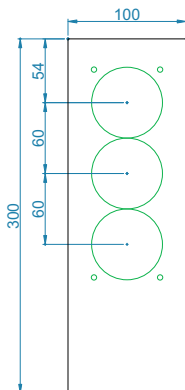
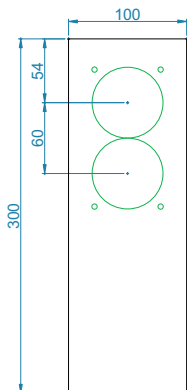
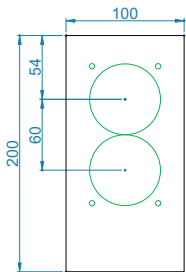
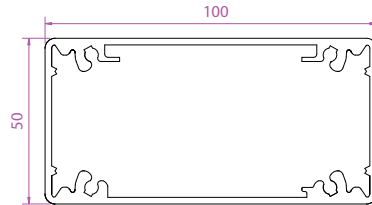
---



### ⇒ Features

- The small power column GAS 100 permits the installation of all standard ranges and allows different hole patterns for a high degree of flexibility and the use of multiple or single frames.
- Ceiling connector columns up to a height of 6 m can be drilled and fitted according to customer requirements.
- The column is suitable for both interior use and outdoor applications.
- For ceramic grounds and tiles grounds, which are cleaned by water, a design with protection rating IP54 is available.
- The attractive design is especially popular in offices. There is also the option to integrate data and telephone combinations.
- In workshops and production halls, this aluminium column is the ideal solution for power supply, especially with the options for integrating low-voltage combinations and data processing modules, as well as command and messaging units, etc.
- The paint colour or anodisation can be chosen as preferred.
- For outdoor applications, the aluminium column offers the best combination of features thanks to the lack of corrosion and extremely high resistance.

# Aluminium power columns GAS 100



## ⇒ Components included

- Alu columns
- Floor and cover plates
- Fixing screws for the standard range of machines
- Fixing screws for the base plate, incl. dowels

## ⇒ Examples from the GAS 100 range

Height	Protection rating	Drill holes	Item designation*
200	IP20	1	GAS100-2-0200-A1
200	IP54	1	GAS100-5-0200-A1
300	IP20	2	GAS100-2-0300-A2
300	IP54	2	GAS100-5-0300-A2
300	IP20	3	GAS100-2-0300-A3
300	IP54	3	GAS100-5-0300-A3
500	IP20	1	GAS100-2-0500-A1
500	IP54	1	GAS100-5-0500-A1
500	IP20	2	GAS100-2-0500-A2
500	IP54	2	GAS100-5-0500-A2
500	IP20	3	GAS100-2-0500-A3
500	IP54	3	GAS100-5-0500-A3
500	IP20	4	GAS100-2-0500-A4
500	IP54	4	GAS100-5-0500-A4
500	IP20	5	GAS100-2-0500-A5
500	IP54	5	GAS100-5-0500-A5

Profile type	Protection rating	Profile height (up to 6 m)	Drill holes, side A
--------------	-------------------	----------------------------	---------------------

\*Item code:

**Let us know what your requirements are!  
We will be happy to advise you!**

# Aluminium power columns GAS 100

## ⇒ Technical data

• **Material:**

- Aluminium
- Fixing materials, V2A

• **Protection rating:**

- IP20 = no protection against humidity
- IP54 = splash-proof  
(with the relevant built-in units)

• **Dimensions:**

- 100 x 50 mm closed aluminium profile
- Length according to customer requirements  
(up to 6 m)

• **Fittings:**

- for one-sided fitting with all standard unit ranges

• **Colour:**

- painted or anodised in standard colour compartments

• **Terminal strip with tension spring technology:**

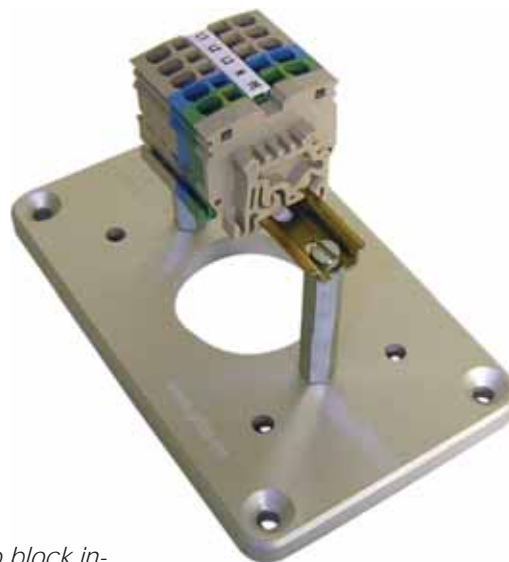
- Cross-section and quantity as required
- Mounted onto bearing rail system
- Bearing rails fitted onto spacer bolts

• **Includes base plate:**

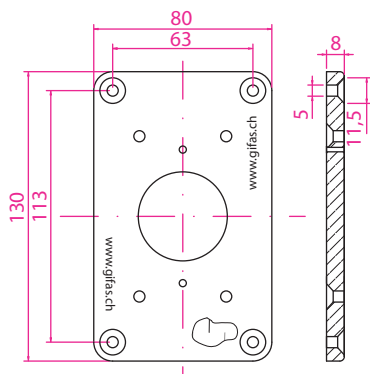
- 4 fixing screws DIN 7991.M5.35.VA
- 4 brass dowels



*Aluminium cover*



*Terminal strip block integrated into base plate*



*Base plate, 4x Befestigungsschrauben und 4x Messingdübel*

# Aluminium power columns GAS 100

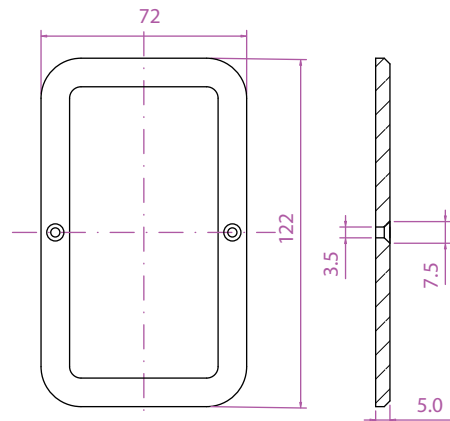
## ⇒ Ceiling connection column



• **Tensioner consisting of:**

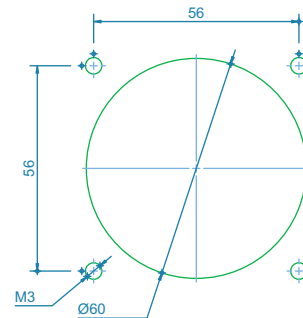
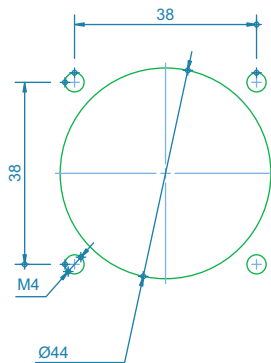
- Aluminium plate
- Threaded bolt, M12
- Nuts and U-washers

*Sleeve for double ceilings and double floors*



- **Base plate is not screw-jointed:**  
No risk to underfloor heating, for example

## ⇒ Hole patterns for power columns GAS 100 (examples)



• **Hole pattern 1:**

- Built-in sockets T13, T23, T15, T25, shock-proof

• **Hole pattern 4:**

- UP units, e.g. Edizio program
- NUP units

## Aluminium power columns GAS 160

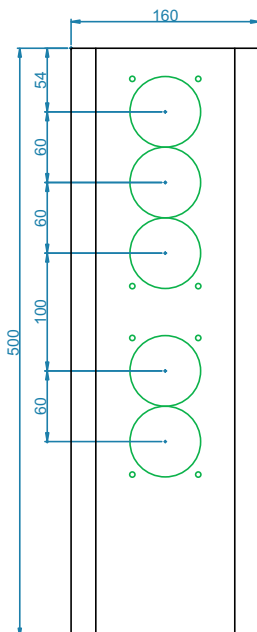
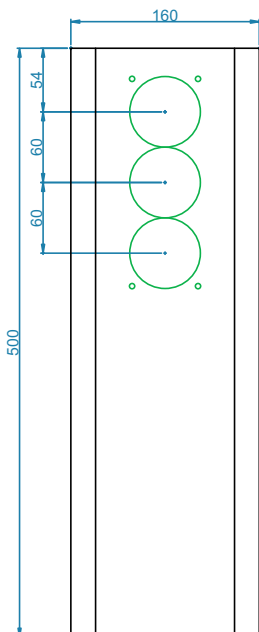
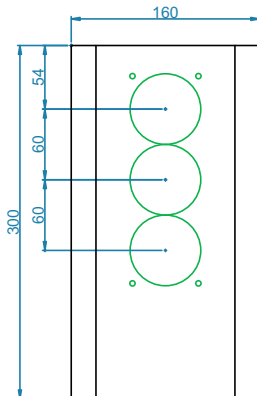
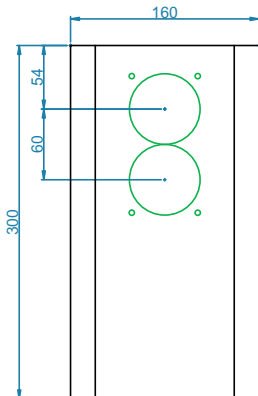
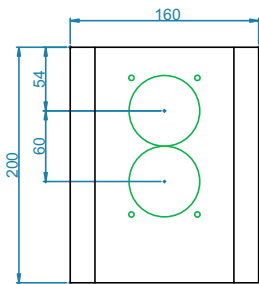
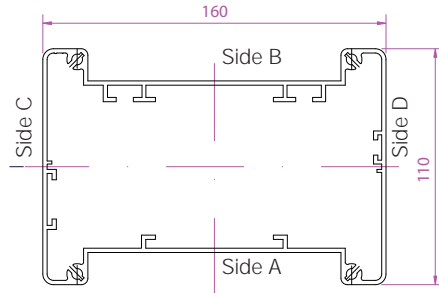
---



### ⇒ Features

- The GAS 160 power column is a versatile aluminium column in an especially robust design. The column can be individually fitted on all four sides.
- Ceiling connector columns up to a height of 6 m can be drilled and fitted according to customer requirements.
- The columns are normally fitted with a base plate and connecting terminals.
- A special option is the ceiling connection version made from closed aluminium profile for vertical connection technology. It permits power supply from the ceiling or from the floor. The profile guarantees a high degree of stability and protects the built-in components at the same time.
- The column is suitable for interior use, and with protection rating IP54 is also suitable for outdoor applications.
- A divider plate is inserted for dividing different power circuits.
- In workshops and production halls, this aluminium column is the ideal situation for power supply, especially with the connection options for compressed air, the option for integrating low-voltage combinations and data processing modules, as well as command and messaging units, CEE add-on sockets up to 63 A, etc.
- The appealing design is also a desirable option in offices as there is also the option to integrate data and telephone combinations.
- For outdoor applications, the aluminium column offers the best combination of features thanks to the lack of corrosion and extremely high resistance to environmental influences.

# Aluminium power columns GAS 160



## ⇒ Components included

- Alu columns
- Floor and cover plates
- Terminal strip block up to 16 mm<sup>2</sup>
- Fixing screws for the standard range of machines
- Fixing screws for the base plate, incl. dowels
- Fitted where appropriate (CEE built-in sockets, fuses, etc.)

## ⇒ Examples from the GAS 160 range

	Pro-tection rating	Drill holes Side A / side B		Item designation*
200	IP20	2		GAS160-2-0200-A2
200	IP54	2		GAS160-5-0200-A2
200	IP20	2	2	GAS160-2-0200-A2/B2
200	IP54	2	2	GAS160-5-0200-A2/B2
300	IP20	2		GAS160-2-0300-A2
300	IP54	2		GAS160-5-0300-A2
300	IP20	2	2	GAS160-2-0300-A2/B2
300	IP54	2	2	GAS160-5-0300-A2/B2
300	IP20	3		GAS160-2-0300-A3
300	IP54	3		GAS160-5-0300-A3
300	IP20	3	3	GAS160-2-0300-A3/B3
300	IP54	3	3	GAS160-5-0300-A3/B3
500	IP20	3		GAS160-2-0500-A3
500	IP54	3		GAS160-5-0500-A3
500	IP20	3	3	GAS160-2-0500-A3/B3
500	IP54	3	3	GAS160-5-0500-A3/B3
500	IP20	5		GAS160-2-0500-A5
500	IP54	5		GAS160-5-0500-A5
500	IP20	5	5	GAS160-2-0500-A5/B5
500	IP54	5	5	GAS160-5-0500-A5/B5

\*Item code:

Profile type	Protection rating	Profile height (up to 6 m)	Drill holes Side A	Drill holes Side B
--------------	-------------------	----------------------------	--------------------	--------------------

Let us know what your requirements are!

# Aluminium power columns GAS 160

## ⇒ Technical data

• **Material:**

- Aluminium
- Fixing materials, V2A

• **Protection rating:**

- IP20 = no protection against humidity
- IP54 = splash-proof  
(with the relevant built-in units)

• **Dimensions:**

- 160 x 110 mm closed aluminium profile
- Length according to customer requirements  
(up to 6 m)

• **Fittings:**

- Can be fitted with components on all four sides, according to customer requirements
- for two-sided fitting with all standard unit ranges (sides A and B)
  - for two-sided fitting with all CEE built-in plug connectors (sides A and B)
  - Fuses: Line protective switch and residual current protective switch (side A)
  - Compressed air connection, 1/4 inch, up to two one-hand rapid couplings (side C)

• **Colour:**

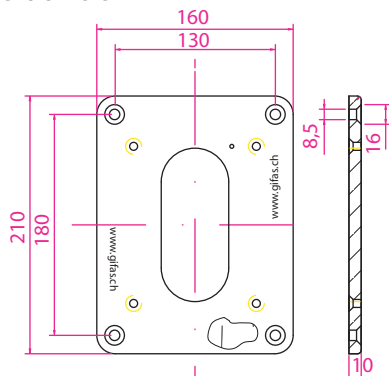
- painted or anodised in standard colour compartments

• **Terminal strips:**

- up to 16 mm<sup>2</sup>
- 5-pole, L1,L2,L3,N,PE
- Mounted onto bearing rail system

• **Includes base plate:**

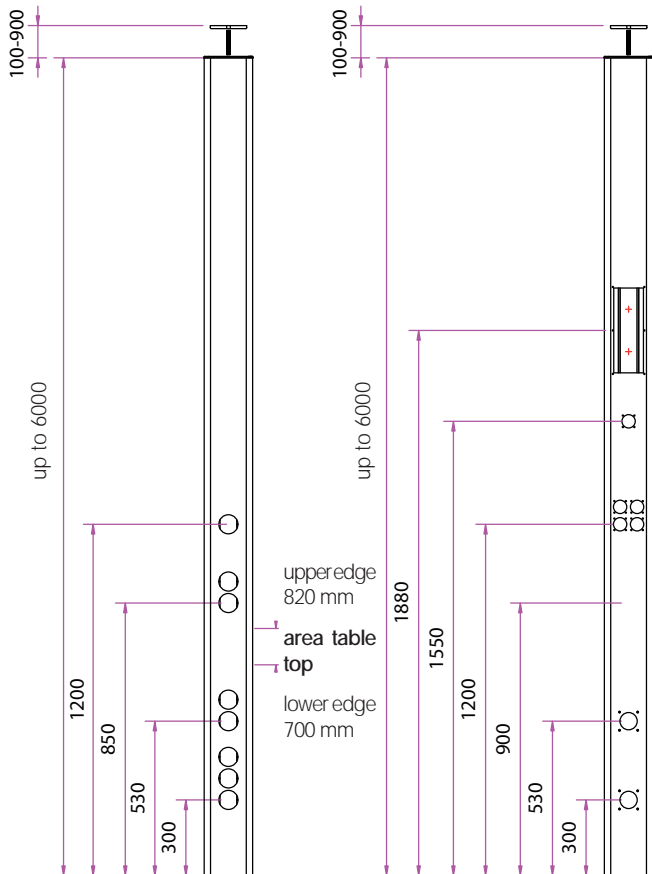
- 4 fixing screws DIN 7991.M8.40.VA
- 4 brass dowels



Base plate, fixing screws and brass dowels

# Aluminium power columns GAS 160

## ⇒ Ceiling connection column



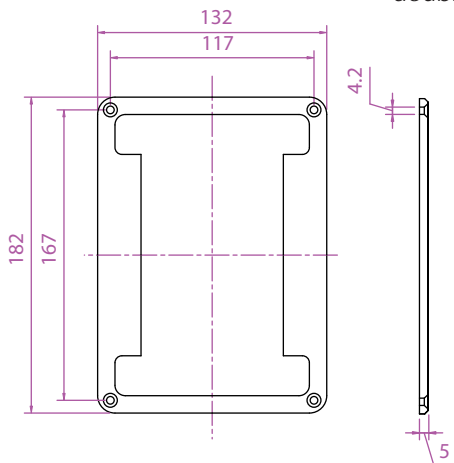
• Tensioner consisting of:

- Aluminium plate
- Threaded bolt, M12
- Nuts and U-washers



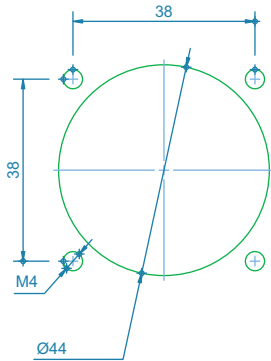
- Base plate is not screw-jointed:  
No risk to underfloor heating, for example

*Sleeve for double ceilings and double floors*



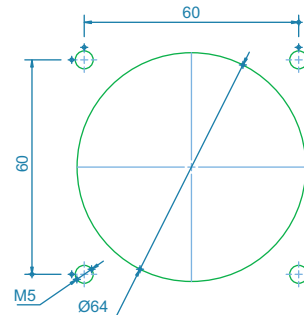
# Aluminium power columns GAS 160

⇒ Hole patterns for power columns GAS 160 (examples)



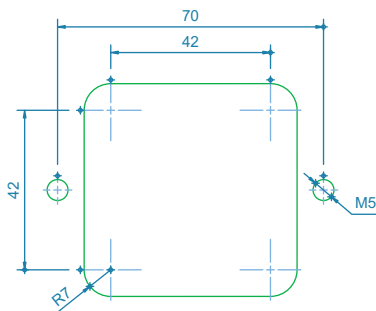
**Hole pattern 1:**

- Built-in sockets T13, T23, T15, T25, shock-proof



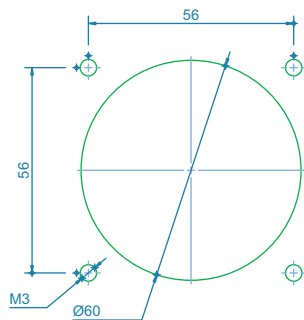
**Hole pattern 2:**

- CEE built-in socket 3x16 A, 230 V
- CEE built-in socket 5x16 A, 400 V
- CEE built-in socket 5x32 A, 400 V



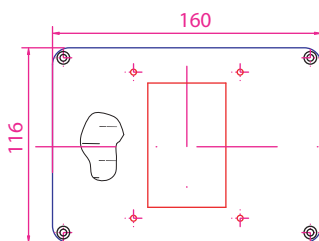
**Hole pattern 3:**

- Built-in sockets J15



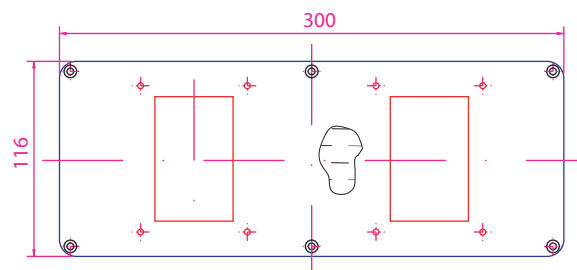
**Hole pattern 4:**

- UP units, e.g. Edizio program
- NUP units



**Hole pattern 5:**

- Cover for transparent safety panel 4TE



**Hole pattern 6:**

- Cover for transparent safety panel 8TE

# Aluminium power columns GAS 160

⇒ Customised solutions



1/2-inch compressed air connection

Closed aluminium profile

Power supply from the ceiling or from the floor



## Practical examples of power columns of aluminium

### Power distribution in entrance areas



### Power distribution in the industry



## Other power columns from GIFAS

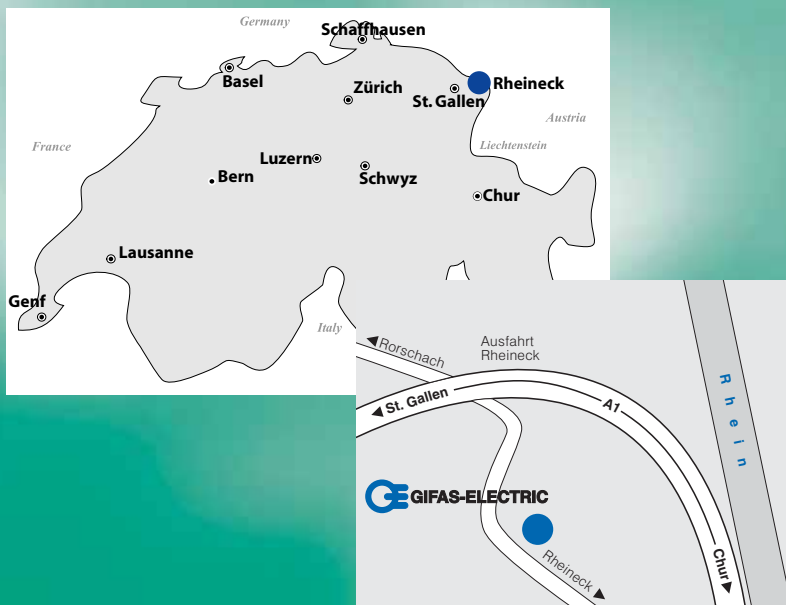
⇒ Power columns with air and socket connections – ready for use at all times



- Rust-free stainless steel V2A in solid design with maximum mechanical load capacity
- Large base flange plate for simple and stable floor assembly
- Can be individually fitted according to customer requirements
- FI protection with fuse integrated into the column and also protected by plexiglass panels
- Pull cable rollers for compressed air fitted on all four sides (load capacity up to 12 bar)
- Compact, closed design – increased safety level!

# Get in touch with us

We are looking forward to become acquainted with you personally!



News about the  
assortment and  
specific solutions  
you can find  
on our website:

[www.gifas.ch](http://www.gifas.ch)

Energy in the right dimension

**GIFAS-ELECTRIC GmbH** Telefon +41 71 886 44 44  
Dietrichstrasse 2 Fax +41 71 886 44 49  
Postfach 275 www.gifas.ch  
CH-9424 Rheineck gifas.electric@gifas.ch

