

SYSTEMATIC QUALITY

CAMPETTO

Underfloor power distributor system



Thanks to the Underfloor power distributor system from GIFAS electrical power is available everywhere without complicated temporary installations! As with all products, we give much importance to high-quality components and workmanship.

Whether installed in- or outdoor, we provide customised solutions that will not disappoint you!

Benefits of our system:

- electrical power is available anytime and just in seconds
- no power cable lying around, therefore no stumbling
- temporary installations are no longer needed
- easy and quick closing after use
- automatic opening thanks to gas springs
- suitable for load class C250 (250 kN)
- protection against vandalism thanks to lockable cover
- almost invisible when not in use
- almost maintenance-free and therefore operating costs

Suitable for:

- power
- water
- compressed air
- video, audio
- telematics

Applications:

- market places
- exhibition halls and trade fairs
- pedestrian zones
- hangars
- sport and leisure centres
- parks
- etc.

Our service:

- tailor-made, customised solutions
- manufacturing from small to large quantities
- lifetime availability of spare parts
- technical drawings
- installation instructions
- local support by our distribution partners

What information is needed for bespoke design?

GIFAS provides you with tailor made, project specific drawings and specifications. The following information is needed:

- type and number of outlets
- infos on MCB, RCD, RCBO etc.
- isolator switch needed?
- type and dimension of supply cable?
- max. prefuse?
- how shall the lid be filled (stone, asphalt, chequered plate steel insert)
- restrictions in mounting depth?
- requirements regarding max. load class (Campetto comes in C250 - 250 kN - 25 tons)

Please contact our local distribution partners, our Sales team or send an e-mail directly to: export@gifas.ch for project specific enquiries.

Example drawings

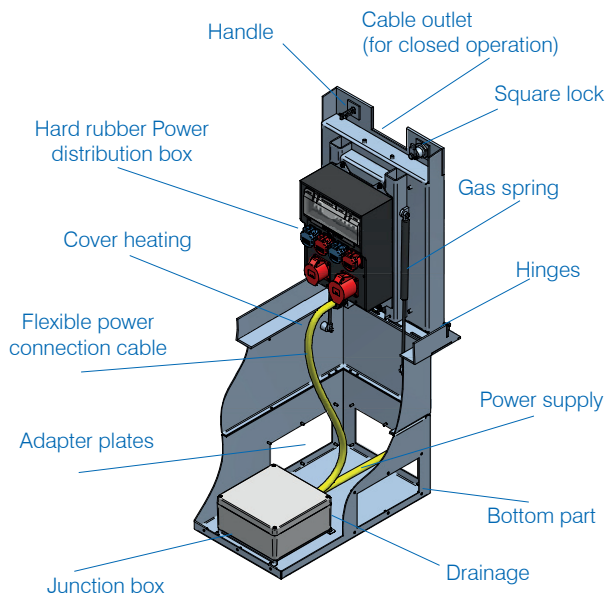
On page 4-11 you can find 4 examples (1 example of each Campetto standard model).



CAMPETTO comes as a ready-to-install unit, consisting of:

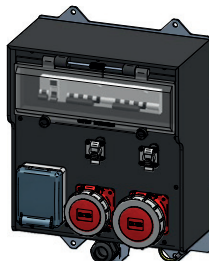
1. metal floor box

- made of stainless steel (1.4301 / AISI 314 / V2A)
- available in 4 standard dimensions (S, M, L or XL)
- with removable cable outlet (for closed operation)
- with bottom part (closed box model) or without bottom part (frame model)
- lid can be filled (50mm) with stones, asphalt, wood, chequered plate insert, etc.
- with 2 gas springs



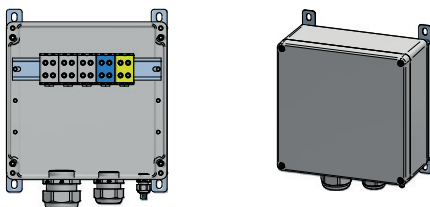
2. hard rubber power distribution box

- type according to your needs (type 7200, 7400, 7700, 7800...)
- for single-/three phase outlets (IP44 up to IP67)
- equipped with highly durable protective cover
- high impact resilience
- temperature resistance from -45°C to +80°C)
- resistant to aging
- electrical strength 26'000V at a housing thickness of 10mm



3. connection box

- for easy connection of incomer cable
- throughwiring possible if necessary
- for outdoor installation (IP68) it shall be filled with 2 component silicone gel (Religel, Bluegel etc.)



Square lock



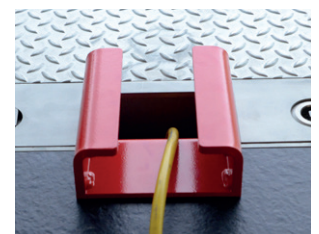
Handle



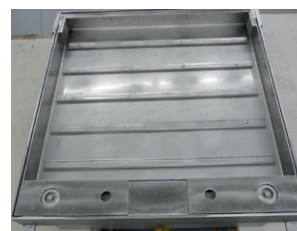
Cable outlet



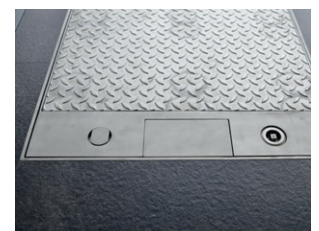
Cable protection (optional)



Filable lid



Checked plate insert (opt.)



Water tap (optional)



Adapter plates



Fuse cover



Gas springs



Campetto S (Item no. 244676)
underfloor power distributor, C250, stainless steel 1.4301 (V2A), incl. hard rubber distribution box type 7200 and hard rubber junction box

Steel construction with lid that can be filled up with any material (e.g. concrete). Two gas springs for easy opening, hard rubber distribution box according to customer requirements. Construction in stainless steel 1.4301 (V2A), square lock 10mm (incl. key), casing with closed bottom and hole Ø 50mm for drainage, incl. cover heating.
operating mode: closed, load capacity C250.

Mounting dim.: 560×310×650 mm (Dimension of recess)

Vulcanized hard rubber power distribution box type 7200 with flap in Plexiglass, color casing: black RAL 9011, protection class casing: IP65

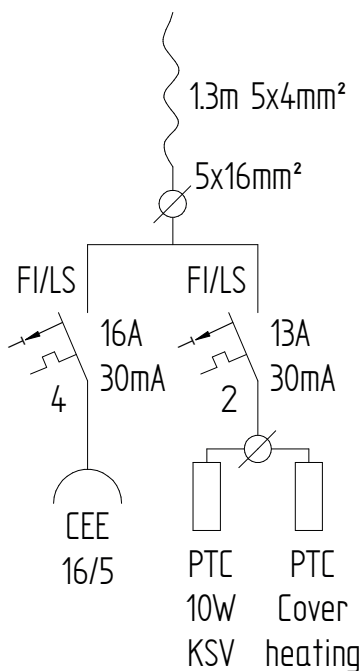
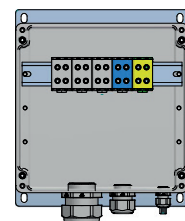
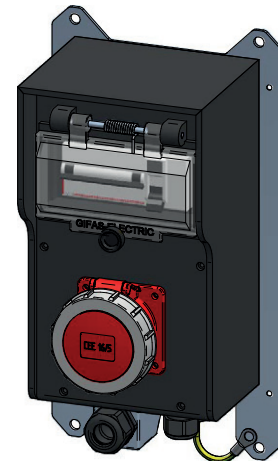
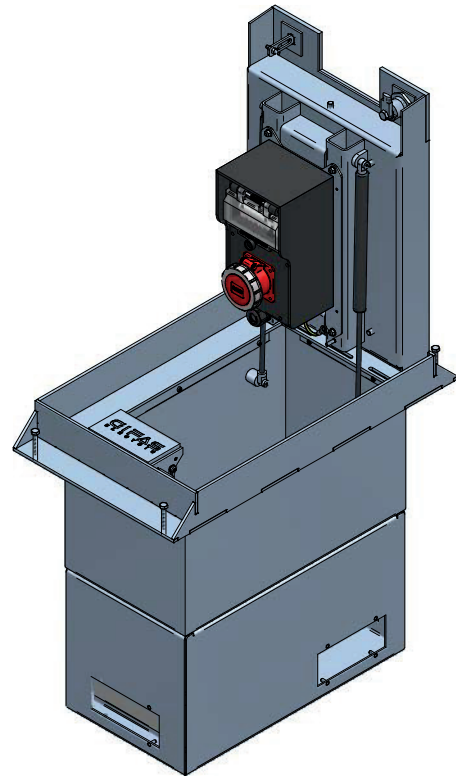
Equipment:

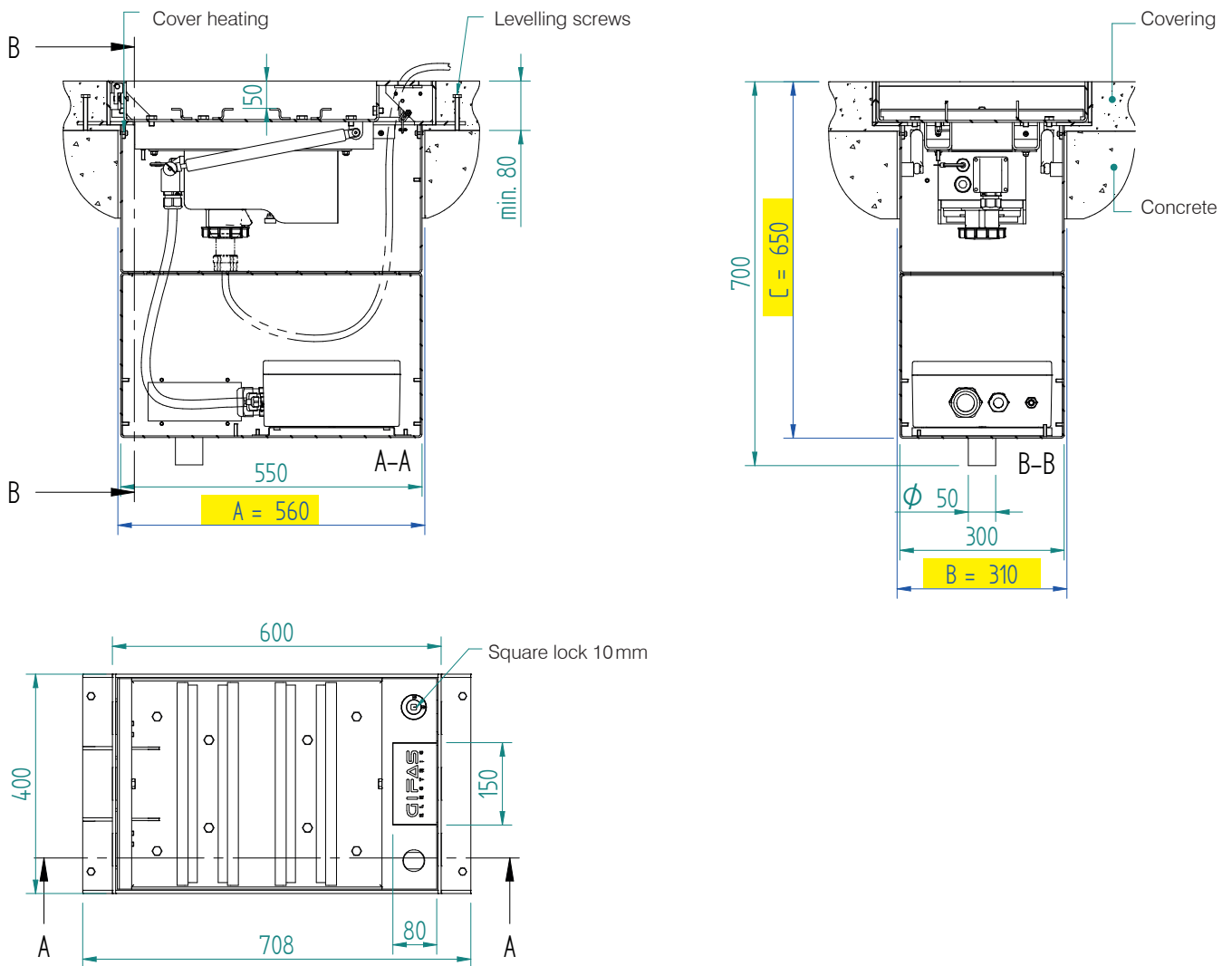
- 1 socket CEE 16A 400V 3P+N+E IP67
- 1 RCBO SE 4-16A/30mA 'C' 6kA SI
- 1 RCBO SE 2-13A/30mA 'C' 10kA SI
- 1 PTC heating 10W/230V
- 1 PTC cover heating 25W/230V
- 1 terminal WOERTZ 6mm² yellow-green
- 1 main line terminal LEIPOLD 3LNPE 5x(4-16mm²)
- 1 WAGO three wire terminal block 2.5mm²
- 1 cable gland M16x1.5 IP68 (cable Ø 5-10mm)
- 1 cable gland M20x1.5mm² IP68 (cable Ø 6-12mm)
- 1 angled cable gland M25x1.5 IP68 (cable Ø 13-18mm)

Junction box:

- 1 polyester junction box
- 3 terminals 2P for Al/Cu 6-50mm² grey
- 1 terminal 2P for Al/Cu 6-50mm² blue
- 1 terminal 2P for Al/Cu 6-50mm² yellow-green
- 1 cable gland M16x1.5 IP68 (cable Ø 5-10mm)
- 1 cable gland M25x1.5 IP68 (cable Ø 13-18mm)
- 1 cable gland M40x1.5 IP68 (cable Ø 22-32mm)

Complete, ready for connection





A×B×C Dimension of recess

Please note:

The cover system is not sealed against surface water; drainage of the casing should be provided by the customer. The excavation work and the correct assembly of the construction (GIFAS components included) conforming to standards must be carried out by the customer.

Customer has to take care of professional foundation and mounting of underfloor distributor systems (max. load capacity 250kN) as well as professional connection to drainage system. See manual for more details.

Campetto M (Item no. 244695)

underfloor power distributor, C250, stainless steel 1.4301 (V2A), incl. hard rubber distribution box type 7400 and hard rubber junction box

Steel construction with lid that can be filled up with any material (e.g. concrete). Two gas springs for easy opening, hard rubber distribution box according to customer requirements. Construction in stainless steel 1.4301 (V2A), square lock 10mm (incl. key), casing with closed bottom and hole Ø 50 mm for drainage, incl. cover heating.

operating mode: closed, load capacity C250.

Mounting dim.: 660x390x650 mm (Dimension of recess)

Vulcanized hard rubber power distribution box type 7400 with flap in Plexiglass, color casing: black RAL 9011, protection class casing: IP65

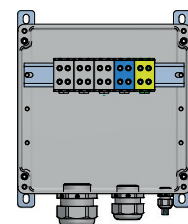
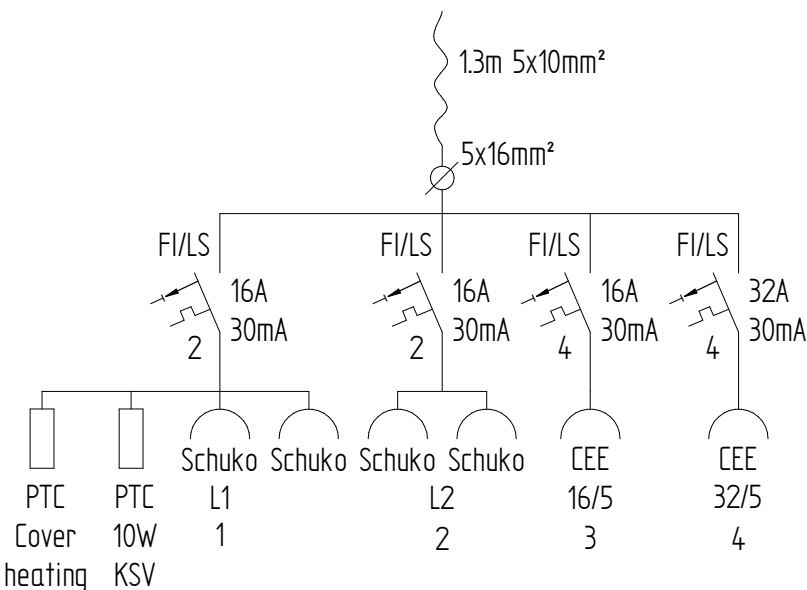
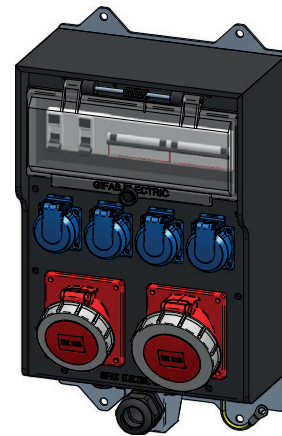
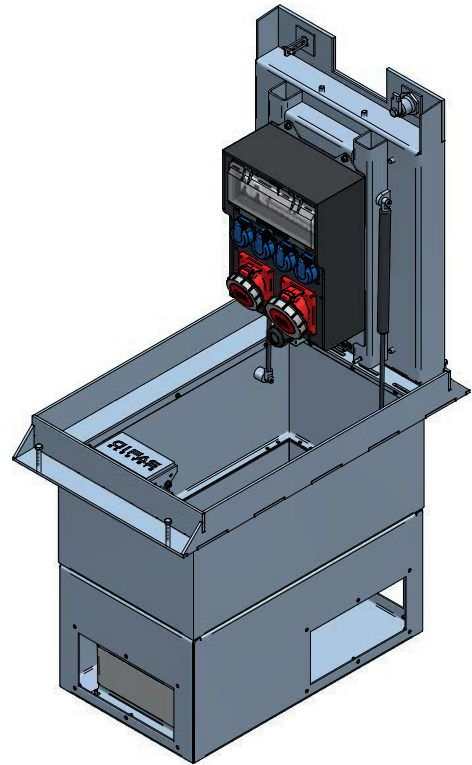
Equipment::

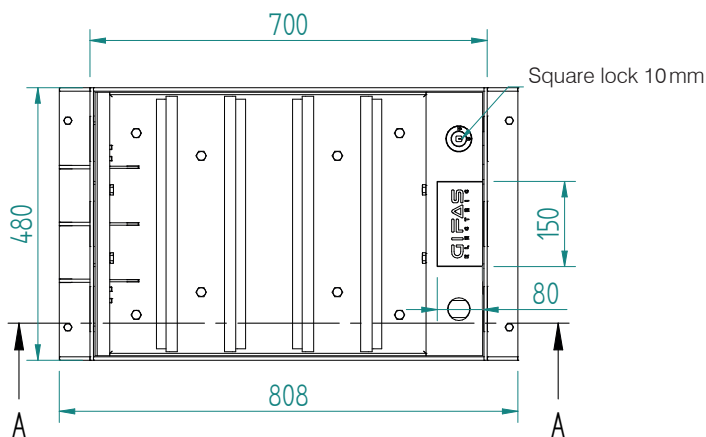
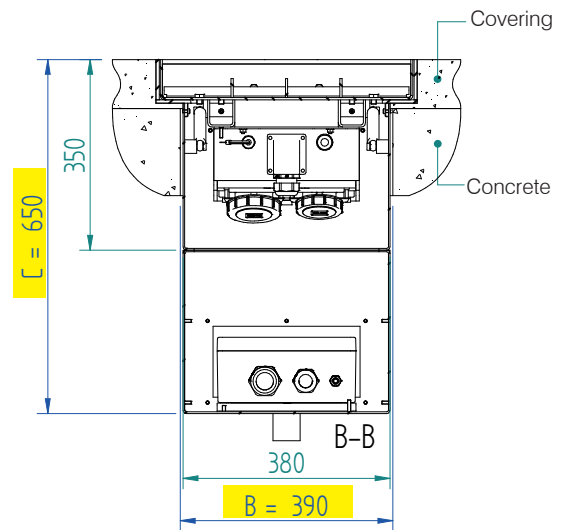
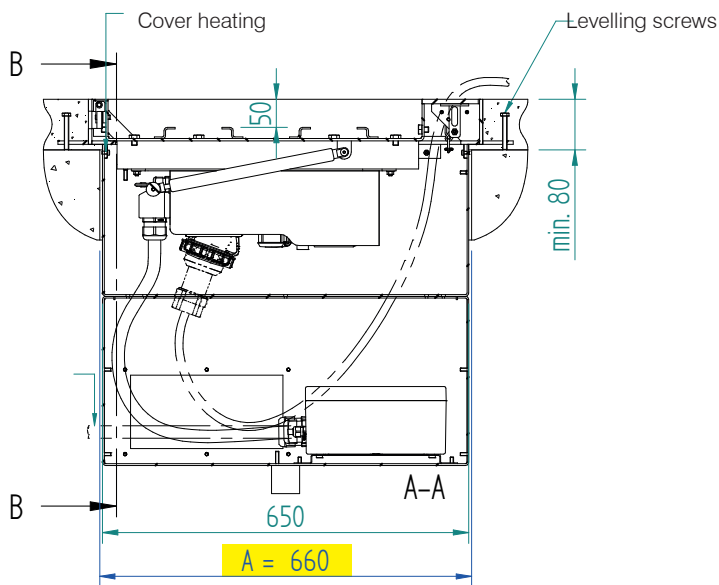
- 4 sockets SCHUKO 16A 250V P+N+E IP54
- 1 socket CEE 16A 400V 3P+N+E IP67
- 1 socket CEE 32A 400V 3P+N+E IP67
- 2 RCBO SE 2-16A/30mA 'C' 10kA SI
- 1 RCBO SE 4-16A/30mA 'C' 6kA SI
- 1 RCBO SE 4-32A/30mA 'C' 6kA
- 1 PTC heating 10W/230V
- 1 PTC cover heating 25W/230V
- 1 two wire terminal WAGO 2.5mm² grey
- 1 two wire terminal WAGO 2.5mm² blue
- 1 termination terminal WAGO 2.5mm²
- 1 main line terminal LEIPOLD 3LNPE 5x(4-16mm²)
- 1 cable gland M16x1.5 IP68 (cable Ø 5-10mm)
- 1 cable gland M20x1.5 IP68 (cable Ø 6-12mm)
- 1 angled cable gland M32x1.5 IP68 (cable Ø 18-25mm)

Junction box:

- 1 polyester casing grey RAL7001
- 3 terminals 2P for Al/Cu 6-50mm² grey
- 1 terminal 2P for Al/Cu 6-50mm² blue
- 1 terminal 2P for Al/Cu 6-50mm² yellow-green
- 1 cable gland M16x1.5 (cable Ø 5-10mm)
- 1 cable gland M32x1.5 (cable Ø 18-25mm)
- 1 cable gland M40x1.5 (cable Ø 22-32mm)

Complete, ready for connection





A×B×C Dimension of recess

Please note:

The cover system is not sealed against surface water; drainage of the casing should be provided by the customer. The excavation work and the correct assembly of the construction (GIFAS components included) conforming to standards must be carried out by the customer.

Customer has to take care of professional foundation and mounting of underfloor distributor systems (max. load capacity 250kN) as well as professional connection to drainage system. See manual for more details.

Campetto L (Item no. 233964)

underfloor power distributor, C250, stainless steel 1.4301 (V2A), incl. hard rubber distribution box type 7700 and hard rubber junction box

Steel construction with lid that can be filled up with any material (e.g. concrete). Two gas springs for easy opening, hard rubber distribution box according to customer requirements. Construction in stainless steel 1.4301 (V2A), square lock 10mm (incl. key), casing with closed bottom and hole Ø 50 mm for drainage, incl. cover heating.
operating mode: closed, load capacity C250.

Mounting dim.: 660×460×650 mm (Dimension of recess)

Vulcanized hard rubber power distribution box type 7700 with flap in Plexiglass, color casing: black RAL 9011, protection class casing: IP65

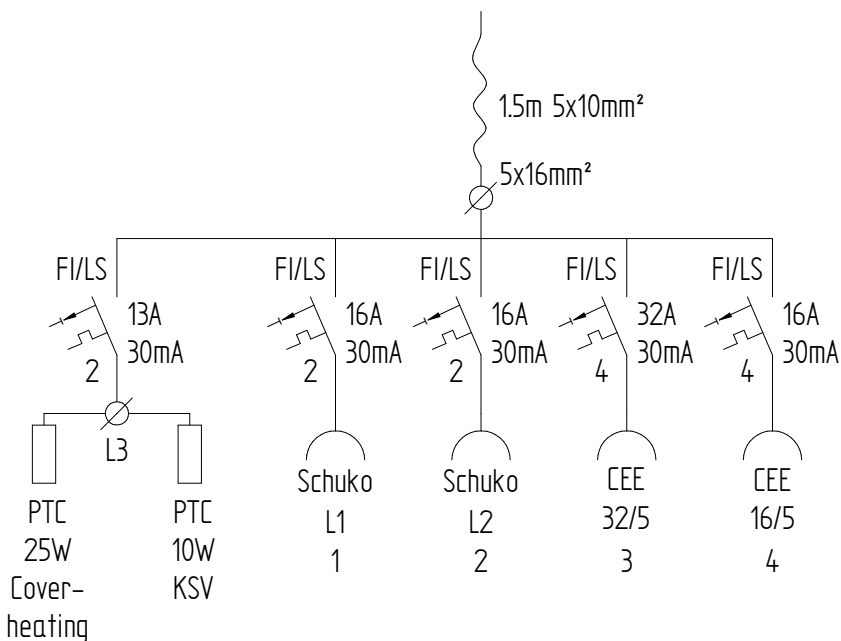
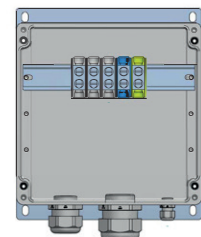
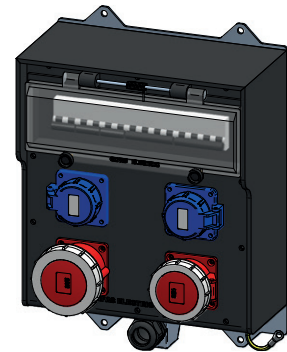
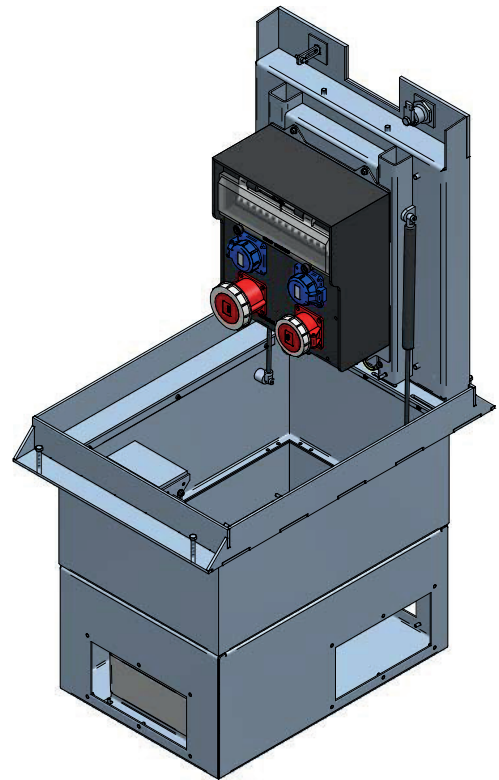
Equipment:

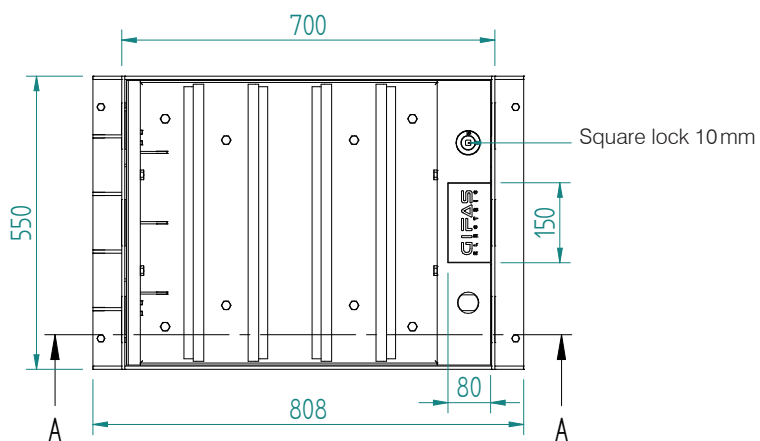
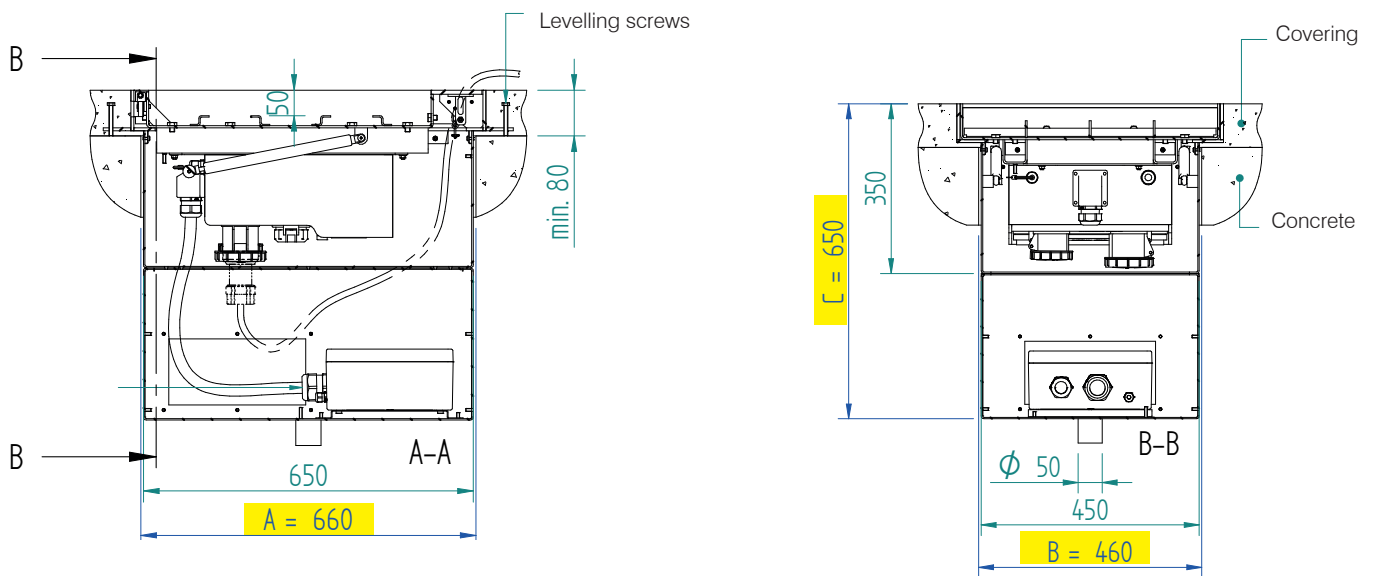
- 2 sockets Schuko 16A 250V P+N+E IP68
- 1 socket CEE 16A 400V 3P+N+E IP67
- 1 socket CEE 32A 400V 3P+N+E IP67
- 1 RCBO SE Acti 2 - 13A/30mA 'C' 10kA
- 2 RCBOs SE 2 - 16A/30mA 'C' 10kA
- 1 RCBO SE 4 - 16A/30mA 'C' 6kA
- 1 RCBO SE 4 - 32A/30mA 'C' 6kA
- 1 cover heating 10W/230V
- 1 PTC cover heating 25W/230V
- 1 four-wire terminal WAGO 2.5mm² grey
- 1 four-wire terminal WAGO 2.5mm² blue
- 1 four-wire terminal WAGO 2.5mm² yellow-green
- 1 main line terminal LEIPOLD 5x(4-16mm²)
- 1 cable gland M16x1.5 IP68 (cable Ø 5-10mm)
- 1 cable gland M20x1.5 IP68 (cable Ø 6-12mm)
- 1 angled cable gland M32x1.5 IP68 (cable Ø 18-25mm)

Junction box:

- 1 polyester junction box
- 3 terminals WOERTZ Cu 35mm² grey
- 1 terminal WOERTZ Cu 35mm² blue
- 1 terminal WOERTZ Cu 35mm² yellow-green
- 1 cable gland M16x1.5 IP68 (cable Ø 5-10mm)
- 1 cable gland M32x1.5 IP68 (cable Ø 18-25mm)
- 1 cable gland M40x1.5 IP68 (cable Ø 22-32mm)

Complete, ready for connection





A×B×C Dimension of recess

Please note:

The cover system is not sealed against surface water; drainage of the casing should be provided by the customer. The excavation work and the correct assembly of the construction (GIFAS components included) conforming to standards must be carried out by the customer.

Customer has to take care of professional foundation and mounting of underfloor distributor systems (max. load capacity 250kN) as well as professional connection to drainage system. See manual for more details.

Campetto XL (Item no. 235091)

underfloor power distributor, C250, stainless steel 1.4301 (V2A), incl. hard rubber distribution box type 7800 and hard rubber junction box

Steel construction with lid that can be filled up with any material (e.g. concrete). Two gas springs for easy opening, hard rubber distribution box according to customer requirements. Construction in stainless steel 1.4301 (V2A), square lock 10mm (incl. key), casing with closed bottom and hole Ø 50mm for drainage, incl. cover heating.
operating mode: closed, load capacity C250.

Mounting dim.: 860×510×750 mm (Dimension of recess)

Vulcanized hard rubber power distribution box type 7800 with flap in Plexiglass, color casing: black RAL 9011, protection class casing: IP65

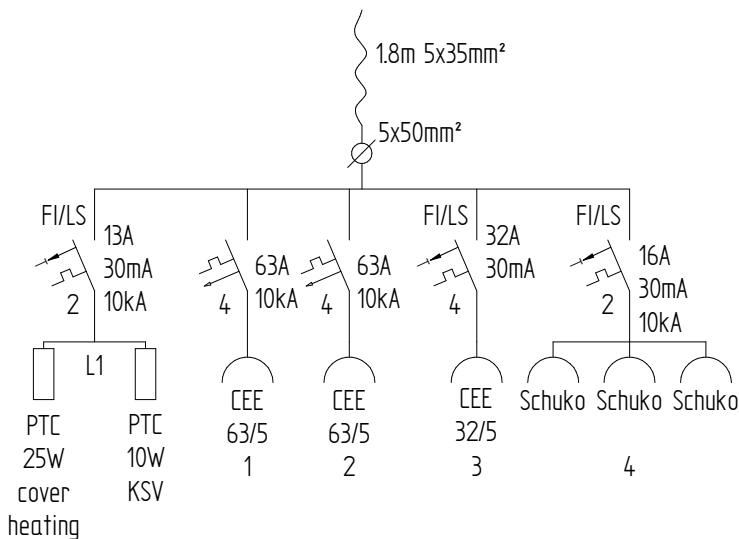
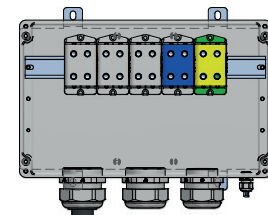
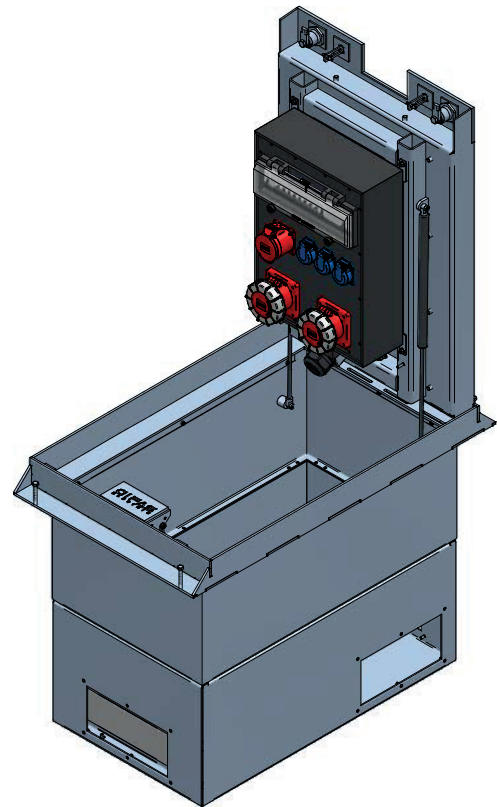
Equipment:

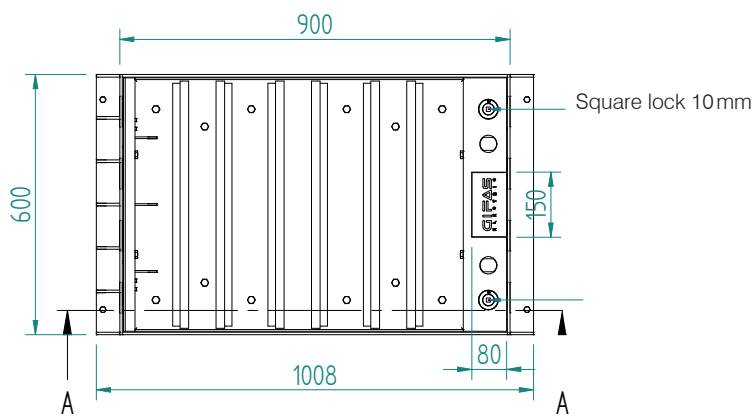
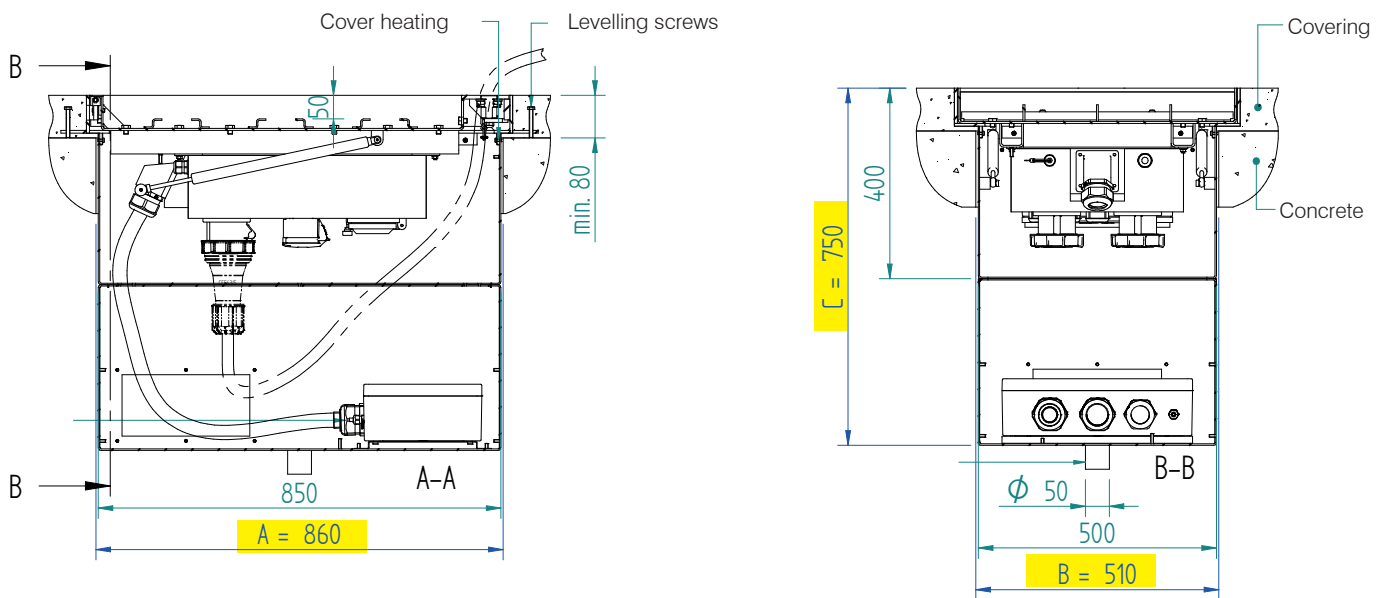
- 3 sockets SCHUKO 16A 250V P+N+E IP54
- 1 socket CEE 32A 400V 3P+N+E IP44
- 2 sockets CEE 63A 400V 3P+N+E IP67
- 1 RCBO SE 2 - 13A/30mA 'C' 10kA
- 1 RCBO SE 2 - 16A/30mA 'C' 10kA
- 1 RCBO SE 4 - 32A/30mA 'C' 6kA
- 2 MCBs SE 4 - 63A 'C' 10kA
- 1 PTC heating 10W/230V
- 1 PTC cover heating 25W/230V
- 3 main line terminals POLLMANN 1x(6-50mm²) grey
- 1 main line terminal POLLMANN 1x(6-50mm²) blue
- 1 main line terminal POLLMANN 1x(6-50mm²) yellow-green
- 1 cable gland M16x1.5 IP68 (cable Ø 5-10mm)
- 1 cable gland M20x1.5 IP68 (cable Ø 10-14mm)
- 1 angled cable gland M50x1.5 IP68 (cable Ø 32-38mm)

Junction box:

- 1 polyester casing grey RAL7001, IP66
- 3 terminals 2P for Al/Cu 35-150mm² grey
- 1 terminal 2P for Al/Cu 35-150mm² blue
- 1 terminal 2P for Al/Cu 35-150mm² yellow-green
- 1 cable gland M16x1.5 IP68 (cable Ø 5-10mm)
- 1 cable gland M50x1.5 IP68 (cable Ø 32-38mm)
- 1 cable gland M63x1.5 IP68 (cable Ø 37-44mm)

Complete, ready for connection





A×B×C Dimension of recess

Please note:

The cover system is not sealed against surface water; drainage of the casing should be provided by the customer. The excavation work and the correct assembly of the construction (GIFAS components included) conforming to standards must be carried out by the customer.

Customer has to take care of professional foundation and mounting of underfloor distributor systems (max. load capacity 250kN) as well as professional connection to drainage system. See manual for more details.

GET IN TOUCH WITH US



News about the assortment and specific solutions
you can find on our website:

www.gifas.ch

We reserve the right to make technical modifications. V 0225

GIFAS
ELECTRIC

GIFAS-ELECTRIC GmbH
Dietrichstrasse 2
CH-9424 Rheineck
Switzerland

+41 71 886 44 44
+41 71 886 44 49
✉ export@gifas.ch
🌐 www.gifas.ch