



STAINLESS STEEL CABINETS

recessed or surface mounted

ELECTRIC SOLUTIONS

V0426

Overview

Thanks to the recessed or surface mounted stainless steel cabinets from GIFAS electrical power is available everywhere without complicated temporary installations! As with all products, we give much importance to high-quality components and workmanship.

Whether installed in- or outdoor, we provide customised solutions that will not disappoint you!

Benefits of our system:

- electrical power is available anytime and within seconds
- no power cable lying around (no stumbling)
- temporary installations no longer needed
- easy and quick closing after use
- protection against vandalism thanks to lockable door
- vandal proof thanks to door which can be closed

Suitable for:

- power
- water
- compressed air
- video, audio
- telematics

Applications:

- market places
- exhibition halls and trade fairs
- pedestrian zones
- parks
- etc.

Our service:

- tailor-made, customised solutions
- manufacturing from small to large quantities
- lifetime availability of spare parts
- technical drawings
- local support by our distribution partners

What information is needed for bespoke design?

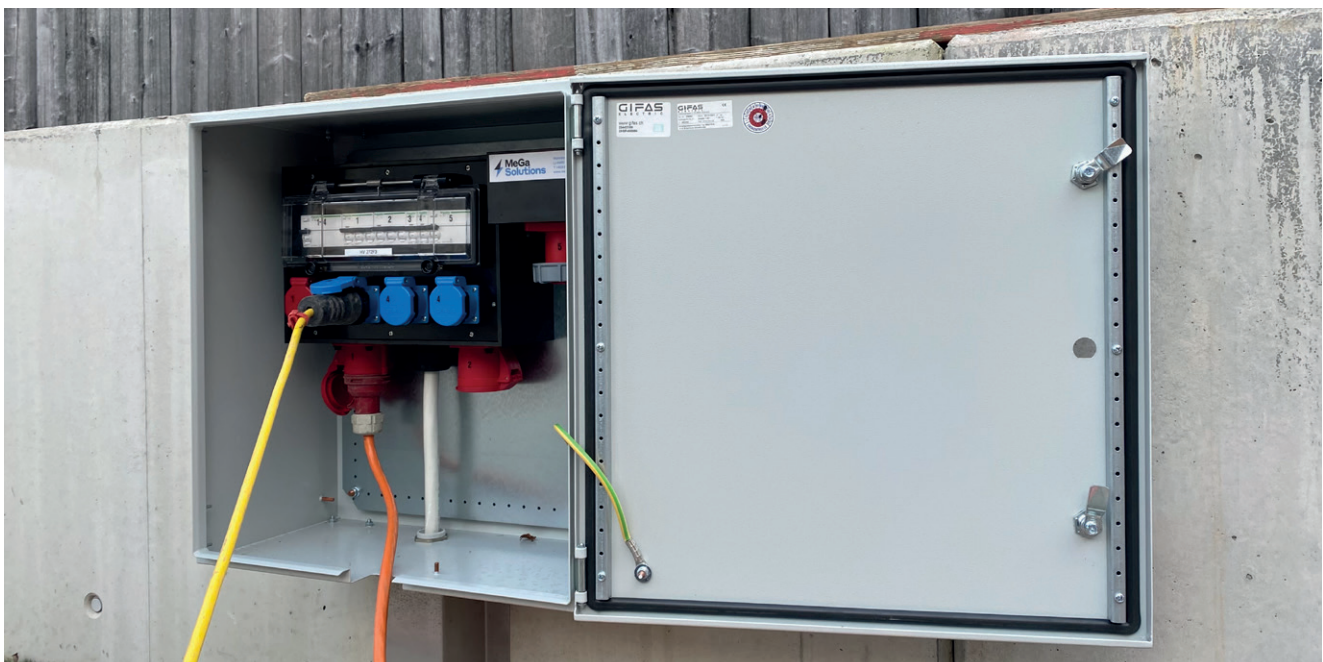
GIFAS provides you with tailor made, project specific drawings and specifications. The following information is needed:

- type and number of outlets
- infos on MCB, RCD, RCBO etc.
- isolator switch needed?
- type and dimension of supply cable?
- max. prefuse?
- restrictions in mounting depth?

Please contact our local distribution partners, our Sales team or send an e-mail directly to: export@gifas.ch for project specific enquiries.

Example drawings

On page 4-11 you can find some examples of recessed and surface mounted stainless steel cabinets.



Components / Details

Surface- and recessed mounted stainless steel cabinets come as a ready-to install unit. This catalogue shows some standard models, tailor made versions are available on request.

Flush mounted (recessed)



Surface mounted



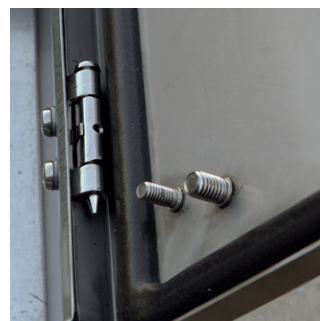
Material: stainless steel brushed (1.4301 / AISI 314 / V2A)
Wall thickness: 1,25 mm (housing), 1,5 mm (door)
Lock: square lock (other locks, T-handle etc. or on request)
Dimensions: see drawings
Power distributor: see drawings



with lockable cable outlet



cable outlet (cutout)



Recessed mounted cabinet

Item no. 268322

Recessed mounted cabinet in stainless steel

- brushed stainless steel 1.4301 (V2A)
- with lockable cable outlet for use in closed state
- with 8mm square lock (other locks on request)
- with hard rubber power distribution box type 2516

Dimension: 370×500×170 mm

Equipment:

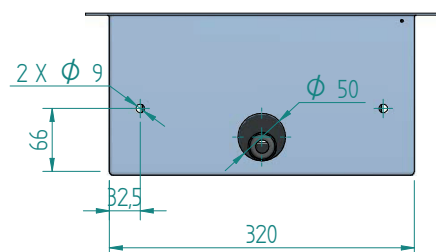
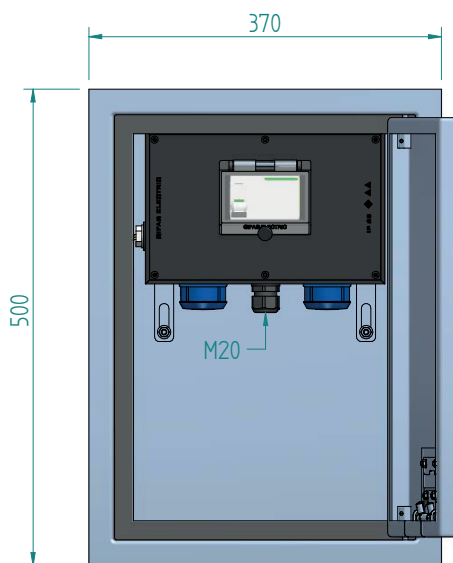
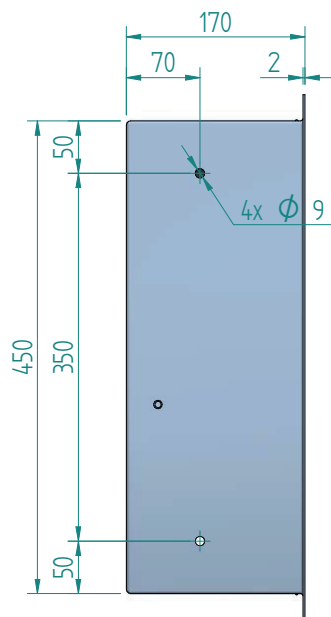
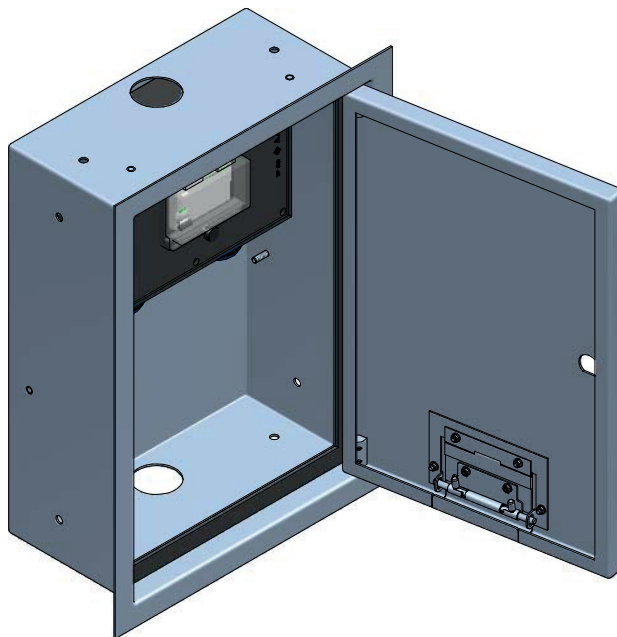
2 sockets SCHUKO 250V/16A P+N+E IP54

1 RCD SE 3N-40A/30mA 10kA

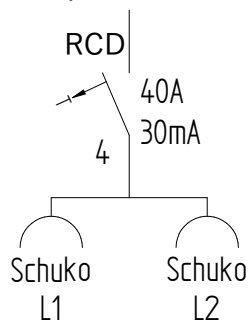
1 terminal WOERTZ 6mm² yellow-green

1 self-sealing cable grommet M20 (cable Ø 9-12mm)

1 cable gland M20×1.5 IP68 (cable Ø 10-14mm)



max. pre-fuse 16A



Surface mounted cabinet

Item no. 265666

Surface mounted cabinet in stainless steel

- brushed stainless steel 1.4301 (V2A)
- with cutout for cable for use in closed state
- with 8mm square lock (other locks on request)
- door right-banding (as standard; on request also left-banding)
- with mounting frame

Dimension: 300×380×210mm

Equipment:

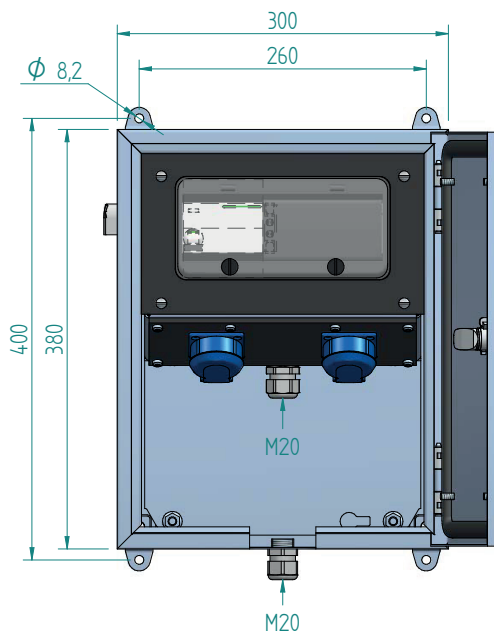
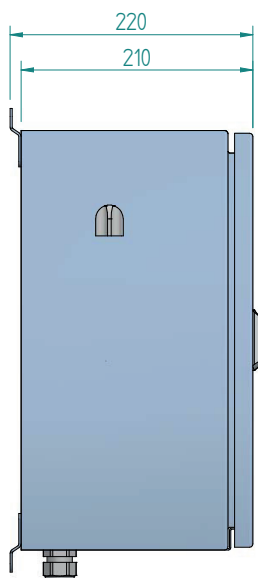
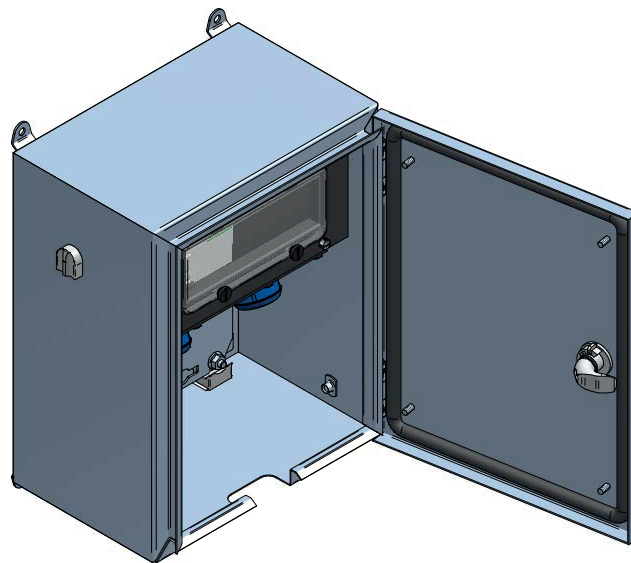
2 sockets SCHUKO 250V/16A P+N+E IP54 blue

1 RCD SE 3 N - 40A/30mA 10kA

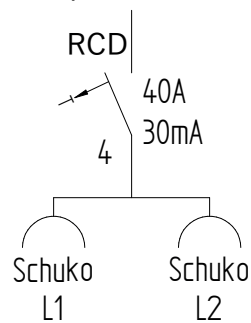
1 terminal WOERTZ 6mm² yellow-green

1 self-sealing cable grommet M20 (cable Ø9-12mm)

1 cable gland M20×1.5 IP68 (cable Ø10-14mm)



max. pre-fuse 16A



Recessed mounted cabinet

Item no. 265661

Recessed mounted cabinet in stainless steel

- brushed stainless steel 1.4301 (V2A)
- with lockable cable outlet for use in closed state
- with 8mm square lock (other locks on request)
- with hard rubber power distribution box type 2516

Dimension: 370×500×170 mm

Equipment:

1 socket SCHUKO 250V/16A P+N+E IP54

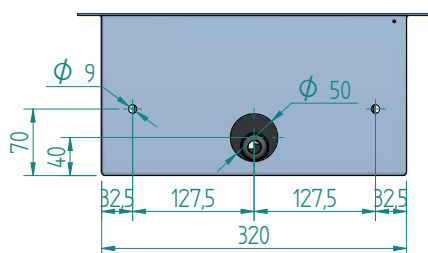
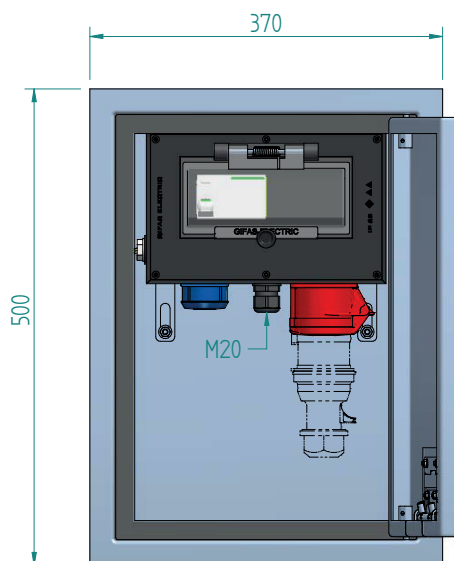
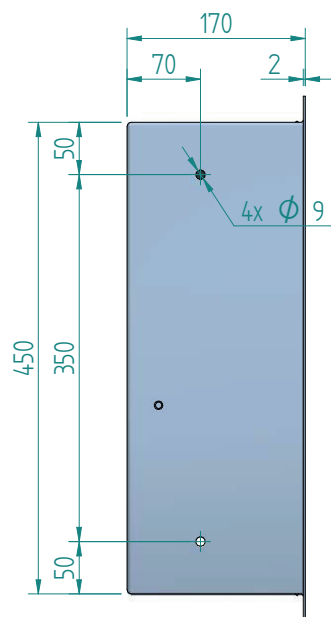
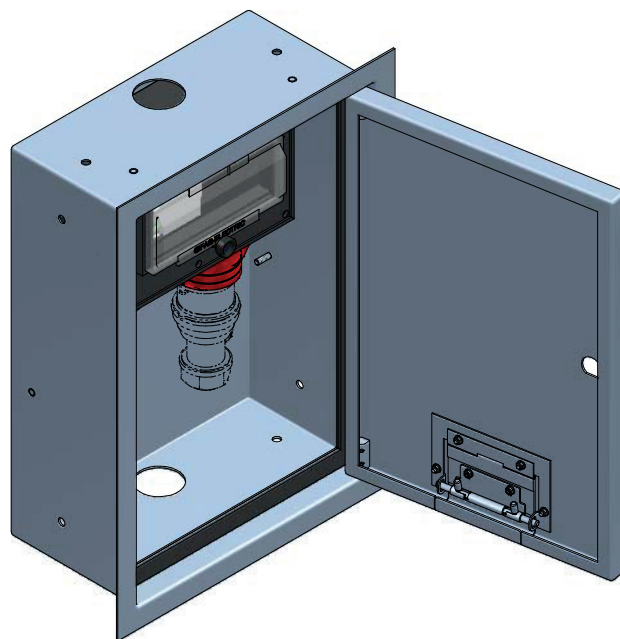
1 socket CEE 400V/16A 3P+N+E IP44

1 RCD SE 3N-40A/30mA 10kA

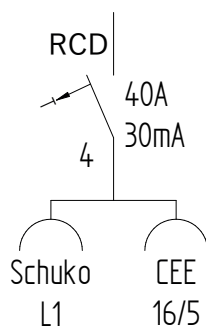
1 terminal WOERTZ 6mm² yellow-green

1 self-sealing cable grommet M20 (cable Ø 9-12mm)

1 cable gland M20×1.5 IP68 (cable Ø 10-14mm)



max. pre-fuse 16A



Surface mounted cabinet

Item no. 268324

Surface mounted cabinet in stainless steel

- brushed stainless steel 1.4301 (V2A)
- with cutout for cable for use in closed state
- with 8 mm square lock (other locks on request)
- door right-banding (as standard; on request also left-banding)
- with mounting frame

Dimension: 300×380×210 mm

Equipment:

1 socket SCHUKO 250V/16A P+N+E IP54

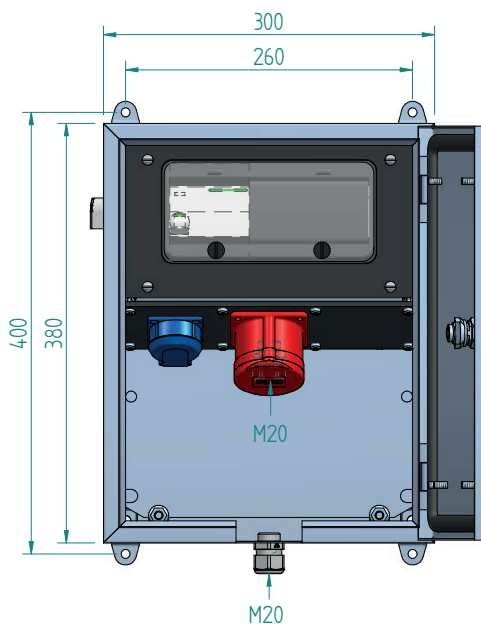
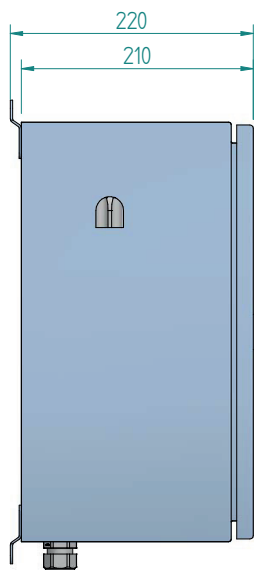
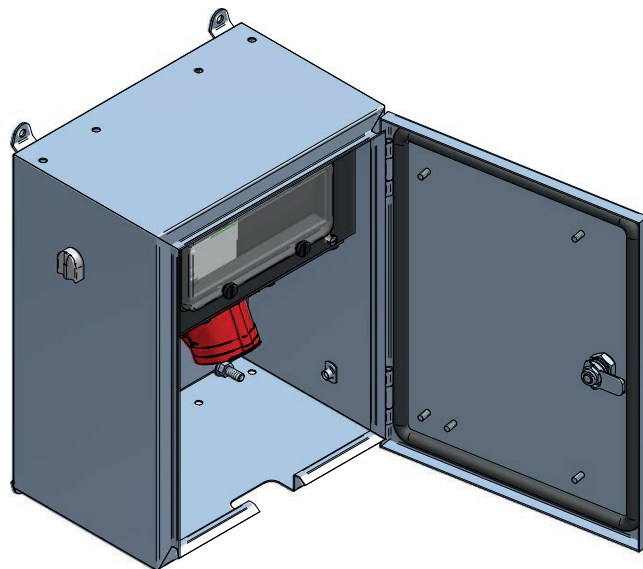
1 socket CEE 400V/16A 3P+N+E IP44

1 RCD SE 3N-40A/30mA 10kA

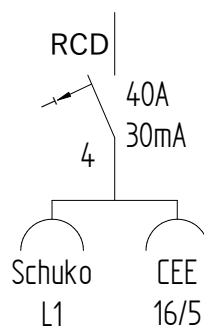
1 terminal WOERTZ 6mm² yellow-green

1 self-sealing cable grommet M20 (cable Ø 9-12 mm)

1 cable gland M20×1.5 IP68 (cable Ø 10-14 mm)



max. pre-fuse 16A



Recessed mounted cabinet

Item no. 265663

Recessed mounted cabinet in stainless steel

- brushed stainless steel 1.4301 (V2A)
- with lockable cable outlet for use in closed state
- with 8mm square lock (other locks on request)
- with hard rubber power distribution box type 3800

Dimension: 480×650×200mm

Equipment:

3 sockets SCHUKO 250V/16A P+N+E IP54 blue

1 socket CEE 400V/16A 3P+N+E IP44

1 socket CEE 400V/32A 3P+N+E IP44

1 RCD SE 3N-63A/30mA 10kA

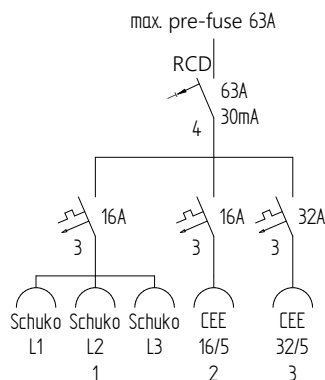
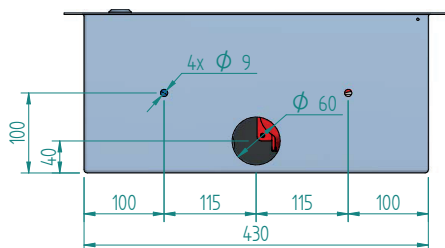
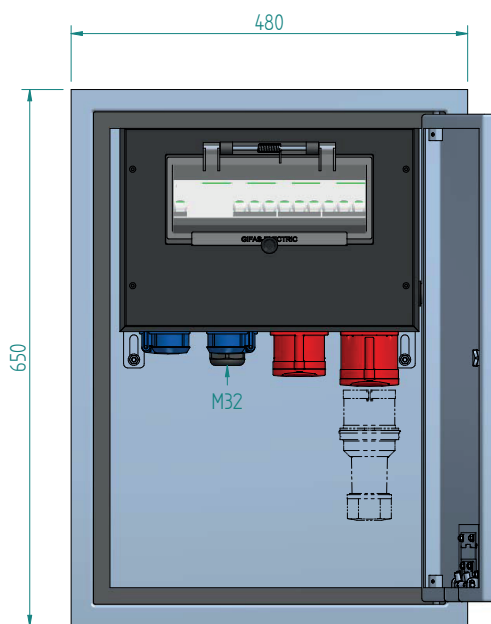
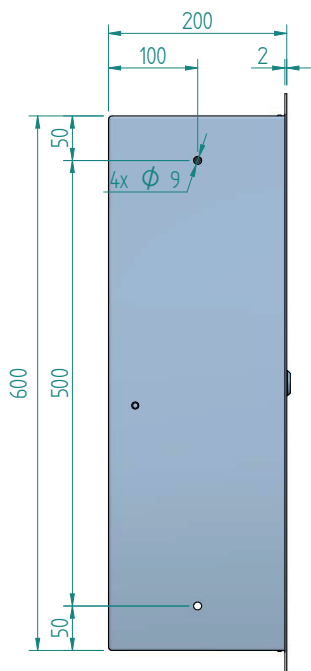
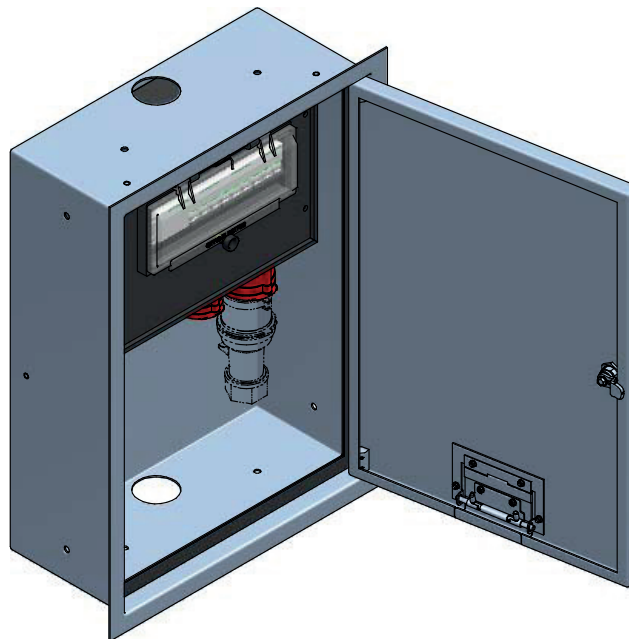
2 automatic cutouts SE 3-16A 'C' 10kA

1 automatic cutout SE 3-32A 'C' 10kA

1 terminal WOERTZ 16mm² yellow-green

1 self-sealing cable grommet M20 (cable Ø9-12mm)

1 cable gland M32×1.5 IP68 (cable Ø18-25mm)



Surface mounted cabinet

Item no. 265668

Surface mounted cabinet in stainless steel

- brushed stainless steel 1.4301 (V2A)
- with cutout for cable for use in closed state
- with 8 mm square lock (other locks on request)
- door right-banding (as standard; on request also left-banding)

Dimension: 400×600×210 mm

Equipment:

3 sockets SCHUKO 250V/16A P+N+E IP54 blue

1 socket CEE 400V/16A 3P+N+E IP44

1 socket CEE 400V/32A 3P+N+E IP44

1 RCD SE 3N-63A/30mA 'type A' 10kA

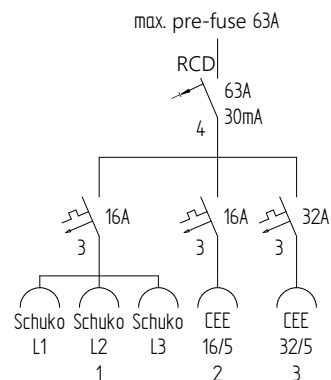
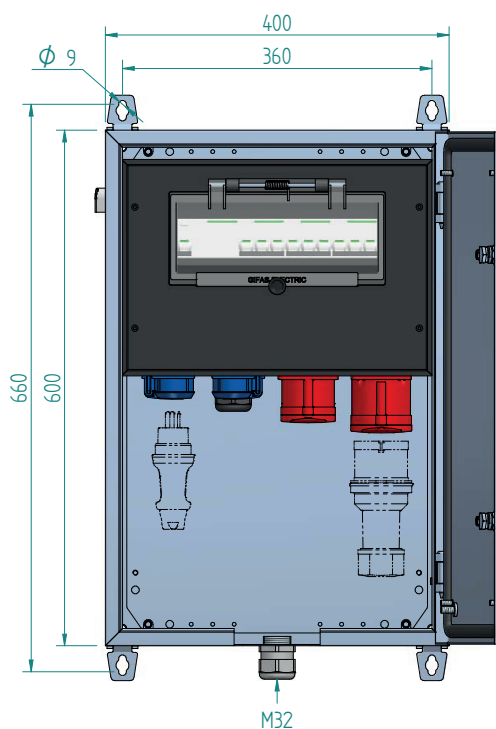
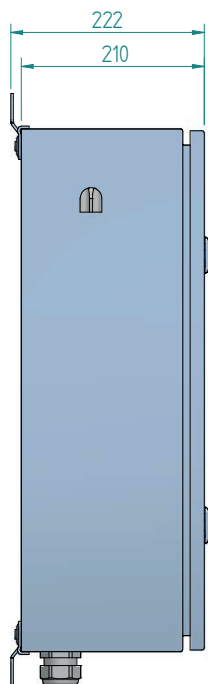
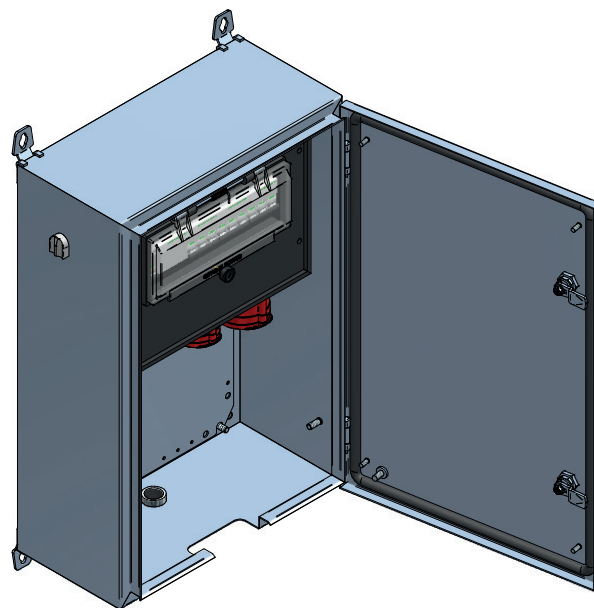
2 automatic cutouts SE 3-16A 'C' 10kA

1 automatic cutout SE 3-32A 'C' 10kA

1 terminal WOERTZ 16 mm² yellow-green

1 self-sealing cable grommet M20 (cable Ø9-12 mm)

1 cable gland M32×1.5 IP68 (cable Ø18-25 mm)



Recessed mounted cabinet

Item no. 265665

Recessed mounted cabinet in stainless steel

- brushed stainless steel 1.4301 (V2A)
- with lockable cable outlet for use in closed state
- with 8mm square lock (other locks on request)
- with hard rubber power distribution box type 3800/1616

Dimension: 610×650×200mm

Equipment:

2 sockets SCHUKO 250V/16A P+N+E IP54 blue

1 socket CEE 400V/16A 3P+N+E IP44

1 socket CEE 400V/32A 3P+N+E IP44

1 socket CEE 400V/63A 3P+N+E IP67

1 RCD 3N-63A/30mA 10kA

1 RCD 3N-63A/300mA 'type A' selective

1 automatic cutout SE 1-16A 'C' 10kA

1 automatic cutout SE 3-16A 'C' 10kA

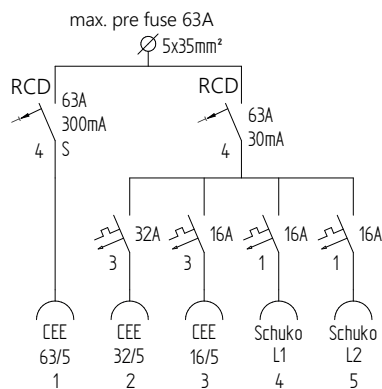
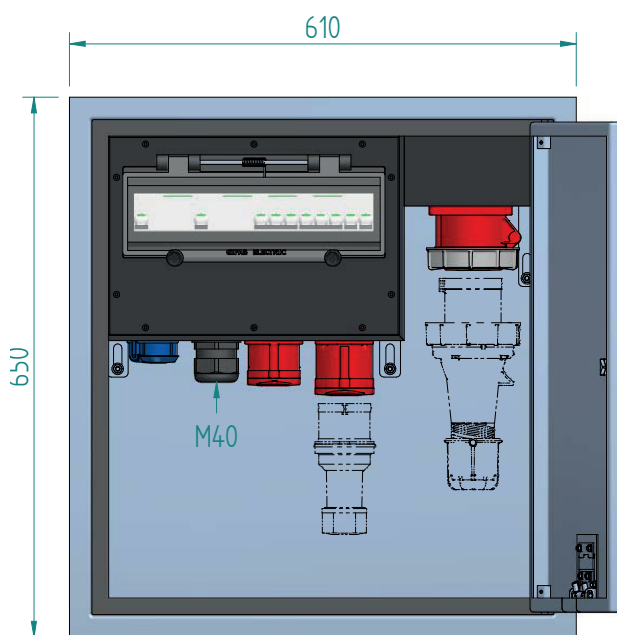
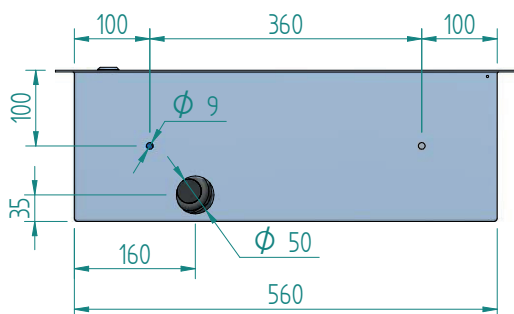
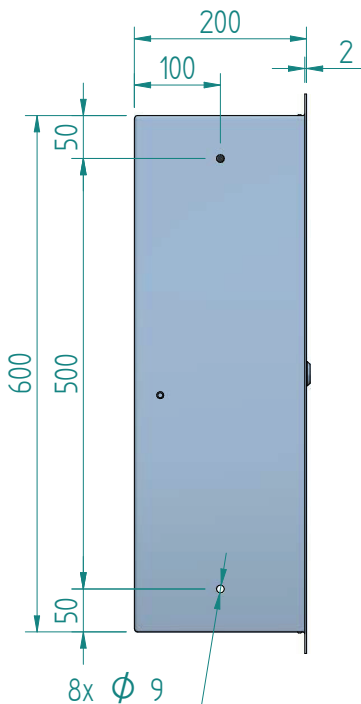
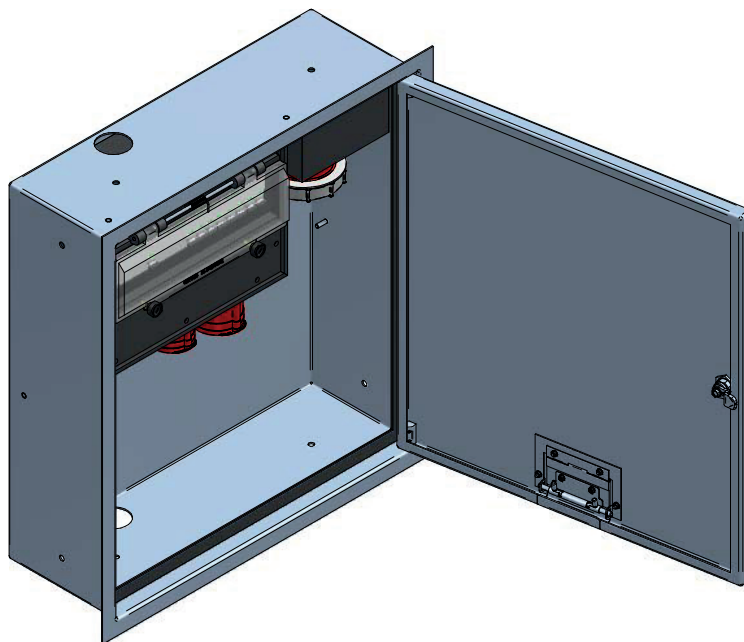
1 automatic cutout SE 3-32A 'C' 10kA

1 terminal block WOERTZ 35mm²

1 protective conductor terminal WOERTZ 16mm²

1 self-sealing cable grommet M20 (cable Ø9-12mm)

1 cable gland M40×1.5 IP68 (cable Ø22-32mm)



Surface mounted cabinet

Item no. 265671

Surface mounted cabinet in stainless steel

- brushed stainless steel 1.4301 (V2A)
- with cutout for cable for use in closed state
- with 8 mm square lock (other locks on request)
- door right-banding (as standard; on request also left-banding)
- with hard rubber power distribution box type 2516

Dimension: 600×600×210 mm

Equipment:

3 sockets SCHUKO 250V/16A P+N+E IP54 blue

1 socket CEE 400V/16A 3P+N+E IP44

1 socket CEE 400V/32A 3P+N+E IP44

1 socket CEE 400V/63A 3P+N+E IP67

1 RCD SE 3N-63A/30mA 10kA 'type A'

1 RCD SE 3N-63A/300mA 'type A' selective

1 automatic cutouts SE 1-16A 'C' 10kA

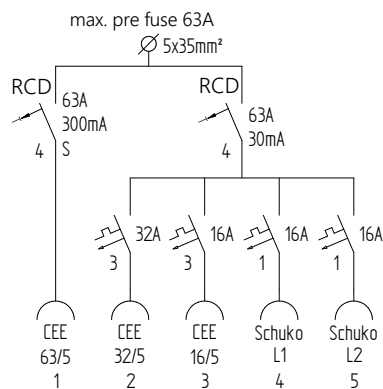
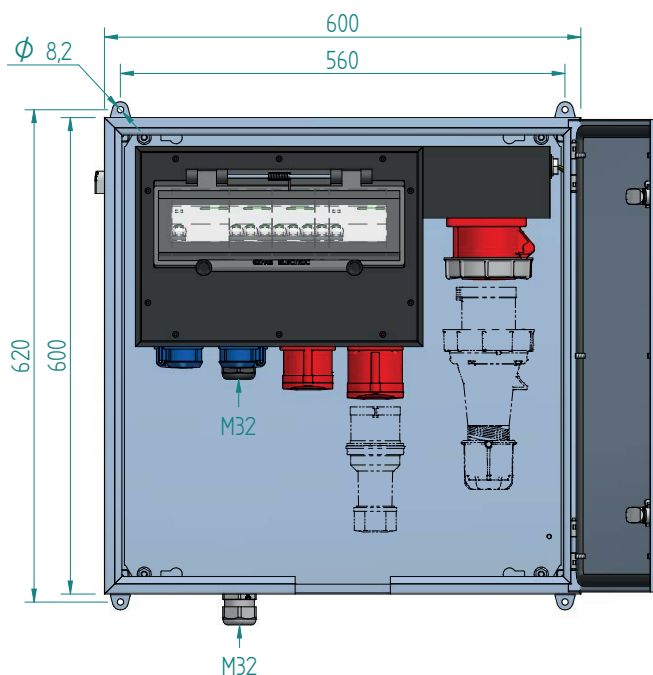
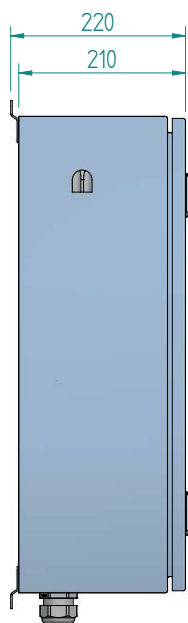
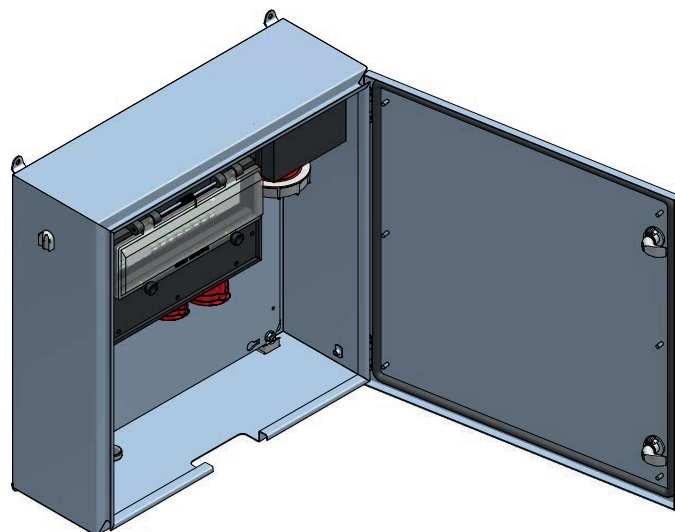
1 automatic cutout SE 3-16A 'C' 10kA

1 automatic cutout SE 3-32A 'C' 10kA

1 terminal block WOERTZ 16mm²

1 self-sealing cable grommet M20 (cable Ø9-12mm)

1 cable gland M32×1.5 IP68 (cable Ø18-25mm)



GIFAS
ELECTRIC



**THE
SOLUTION
PARTNER**

GIFAS-ELECTRIC GmbH
Dietrichstrasse 2
CH-9424 Rheineck
Switzerland

+41 71 886 44 44
export@gifas.ch
www.gifas.ch