

# STAINLESS STEEL CABINETS

recessed or surface mounted

ELECTRIC SOLUTIONS

V0426

# Overview

Thanks to the recessed or surface mounted stainless steel cabinets from GIFAS electrical power is available everywhere without complicated temporary installations! As with all products, we give much importance to high-quality components and workmanship.

Whether installed in- or outdoor, we provide customised solutions that will not disappoint you!

## Benefits of our system:

- electrical power is available anytime and within seconds
- no power cable lying around (no stumbling)
- temporary installations no longer needed
- easy and quick closing after use
- protection against vandalism thanks to lockable door
- vandal proof thanks to door which can be closed

## Suitable for:

- power
- water
- compressed air
- video, audio
- telematics

## Applications:

- market places
- exhibition halls and trade fairs
- pedestrian zones
- parks
- etc.

## Our service:

- tailor-made, customised solutions
- manufacturing from small to large quantities
- lifetime availability of spare parts
- technical drawings
- local support by our distribution partners

## What information is needed for bespoke design?

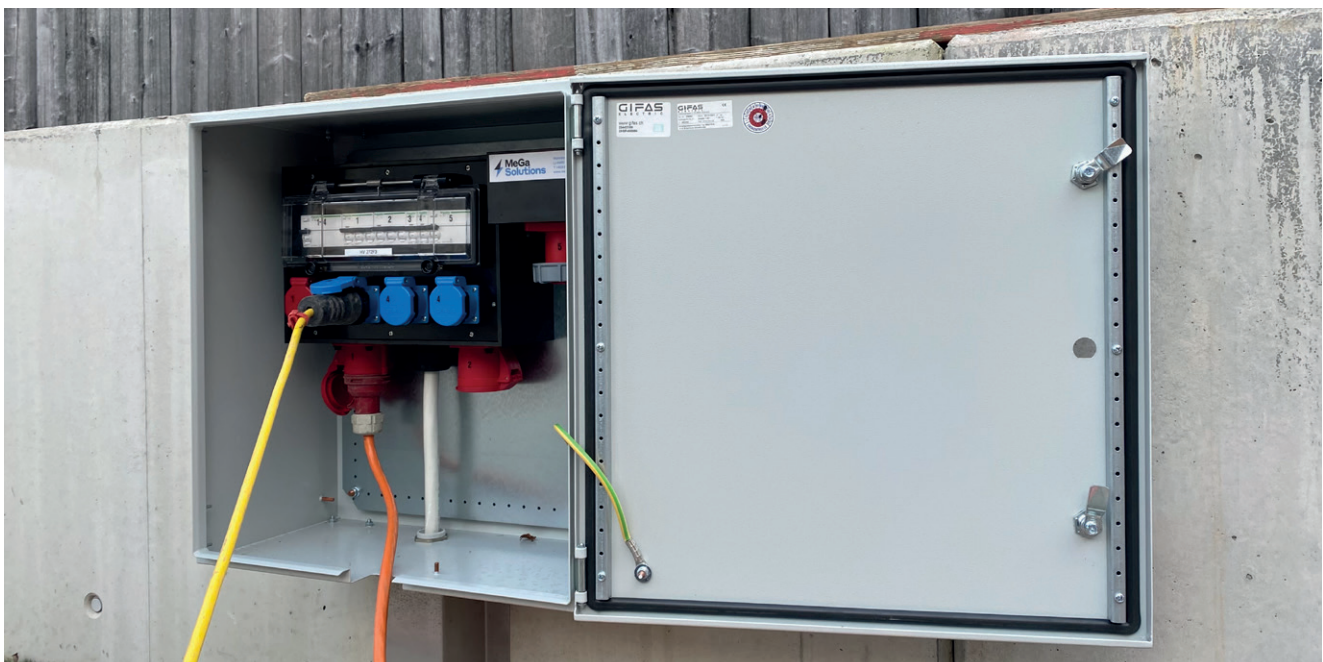
GIFAS provides you with tailor made, project specific drawings and specifications. The following information is needed:

- type and number of outlets
- infos on MCB, RCD, RCBO etc.
- isolator switch needed?
- type and dimension of supply cable?
- max. prefuse?
- restrictions in mounting depth?

Please contact our local distribution partners, our Sales team or send an e-mail directly to: [export@gifas.ch](mailto:export@gifas.ch) for project specific enquiries.

## Example drawings

On page 4-11 you can find some examples of recessed and surface mounted stainless steel cabinets.



# Components / Details

Surface- and recessed mounted stainless steel cabinets come as a ready-to install unit. This catalogue shows some standard models, tailor made versions are available on request.

## Flush mounted (recessed)



## Surface mounted



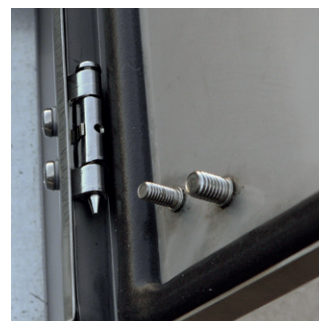
Material: stainless steel brushed (1.4301 / AISI 314 / V2A)  
Wall thickness: 1,25 mm (housing), 1,5 mm (door)  
Lock: square lock (other locks, T-handle etc. or on request)  
Dimensions: see drawings  
Power distributor: see drawings



with lockable cable outlet



cable outlet (cutout)



# Recessed mounted cabinet

Item no. 27000

## Recessed mounted cabinet in stainless steel

- brushed stainless steel 1.4301 (V2A)
- with lockable cable outlet for use in closed state
- with 8mm square lock (other locks on request)
- with hard rubber power distribution box type 2516

Dimension: 370×500×170 mm

## Equipment:

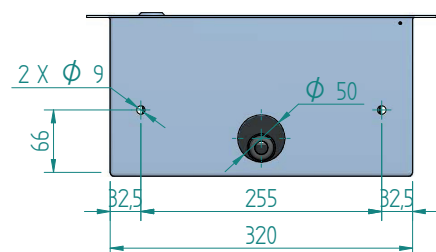
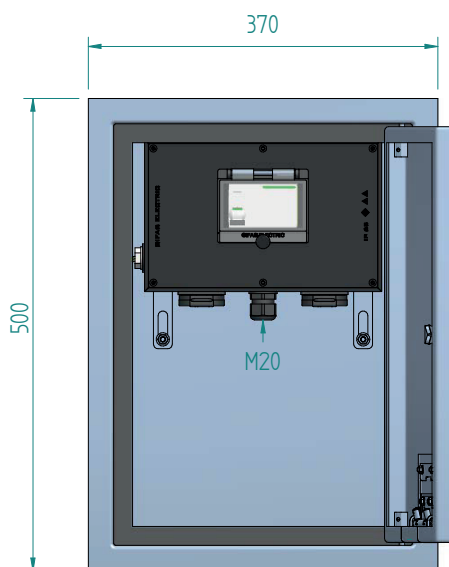
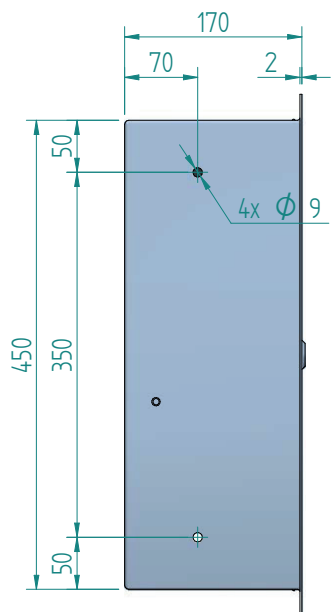
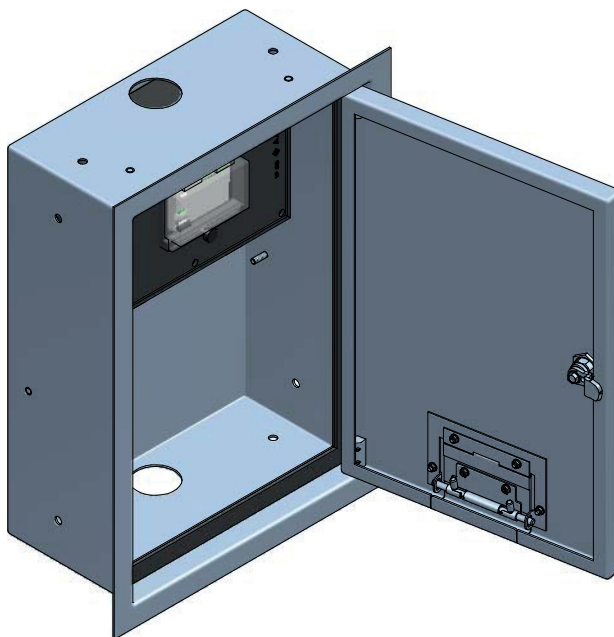
2 sockets British Standard 250V/13A P+N+E IP54

1 RCD SE 3N-40A/30mA 10kA

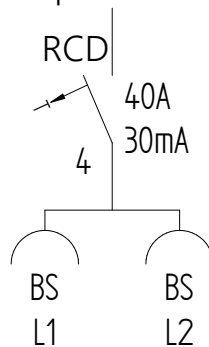
1 terminal WOERTZ 6mm<sup>2</sup> yellow-green

1 self-sealing cable grommet M20 (cable Ø9-12mm)

1 cable gland M20×1.5 IP68 (cable Ø10-14mm)



max. pre-fuse 13A



# Surface mounted cabinet

Item no. 269976

## Surface mounted cabinet in stainless steel

- brushed stainless steel 1.4301 (V2A)
- with cutout for cable for use in closed state
- with 8 mm square lock (other locks on request)
- door right-banding (as standard; on request also left-banding)
- with mounting frame

Dimension: 300×380×210 mm

## Equipment:

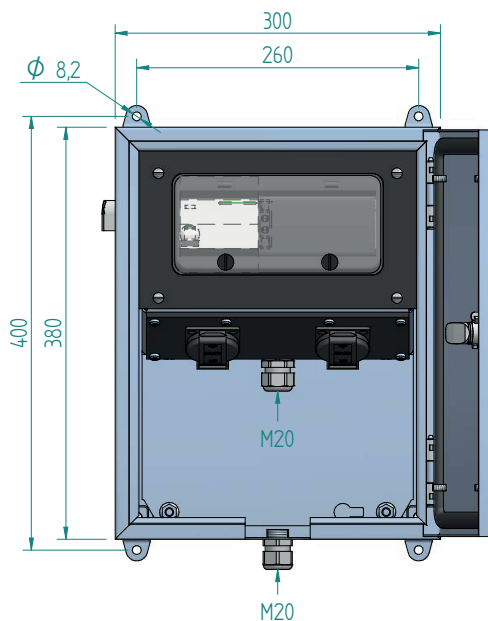
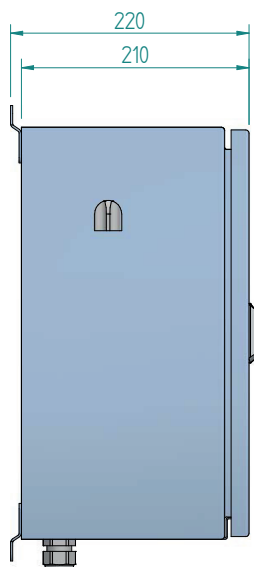
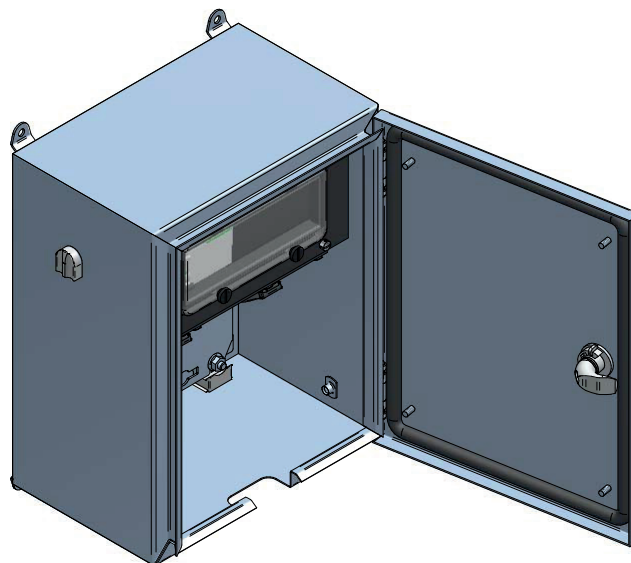
2 sockets British Standard 250V/13A P+N+E IP54

1 RCD SE 3N-40A/30mA 'type A' 10kA

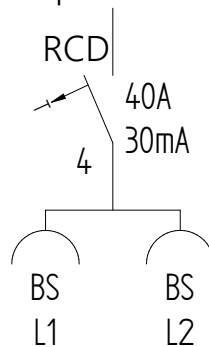
1 terminal WOERTZ 6mm<sup>2</sup> yellow-green

1 self-sealing cable grommet M20 (cable Ø9-12mm)

1 cable gland M20×1.5 IP68 (cable Ø10-14mm)



max. pre-fuse 13A



# Recessed mounted cabinet

Item no. 269985

## Recessed mounted cabinet in stainless steel

- brushed stainless steel 1.4301 (V2A)
- with lockable cable outlet for use in closed state
- with 8mm square lock (other locks on request)
- with hard rubber power distribution box type 2516

Dimension: 370×500×170 mm

## Equipment:

1 socket British Standard 250V/13A P+N+E IP54

1 socket CEE 400V/16A 3P+N+E IP44

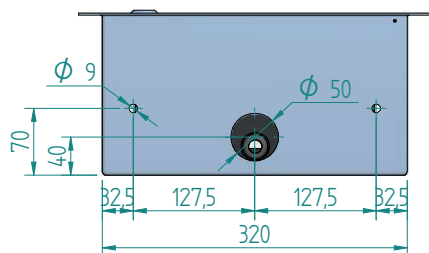
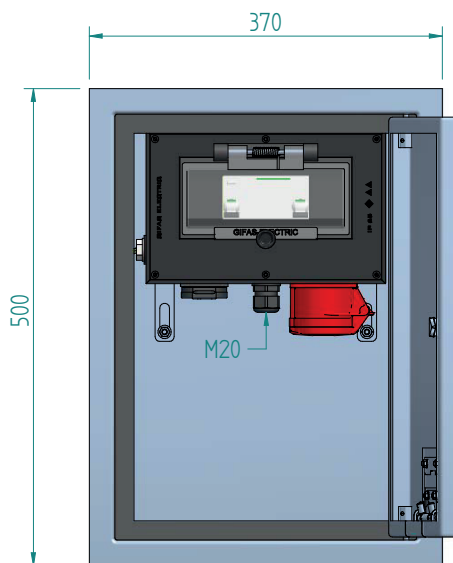
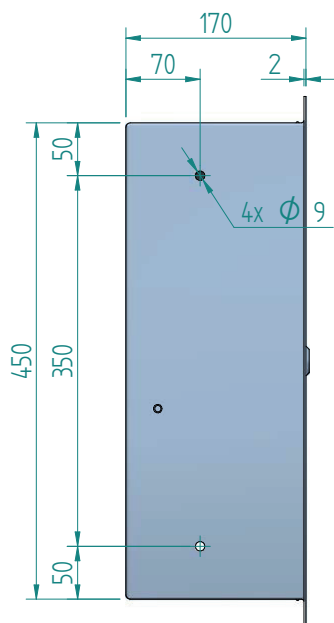
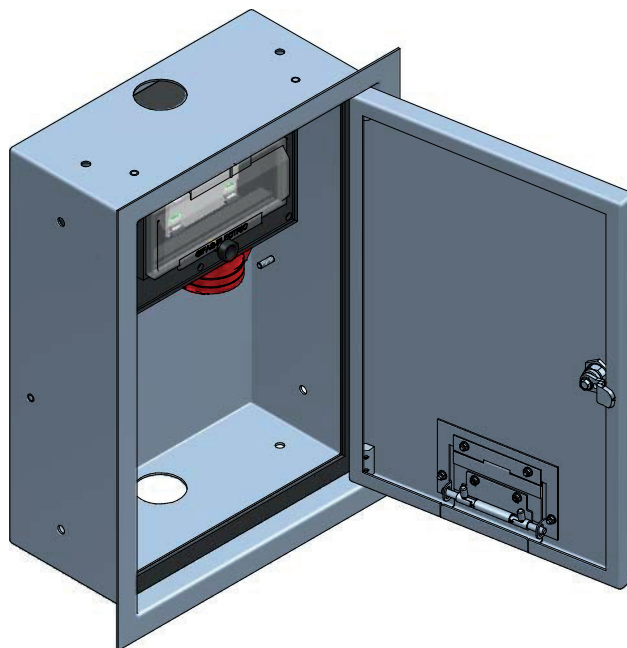
1 RCD SE 3N-40A/30mA 10kA

1 MCB SE 1N-13A/30mA 6kA

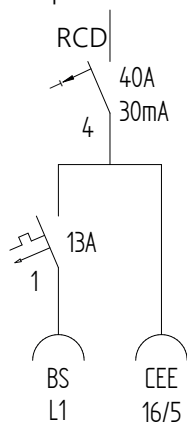
1 terminal WOERTZ 6mm<sup>2</sup> yellow-green

1 self-sealing cable grommet M20 (cable Ø9-12 mm)

1 cable gland M20×1.5 IP68 (cable Ø10-14 mm)



max. pre-fuse 16A



# Surface mounted cabinet

Item no. 269982

## Surface mounted cabinet in stainless steel

- brushed stainless steel 1.4301 (V2A)
- with cutout for cable for use in closed state
- with 8 mm square lock (other locks on request)
- door right-banding (as standard; on request also left-banding)
- with mounting frame

Dimension: 300×380×210 mm

## Equipment:

1 socket British Standard 250V/13A P+N+E IP54

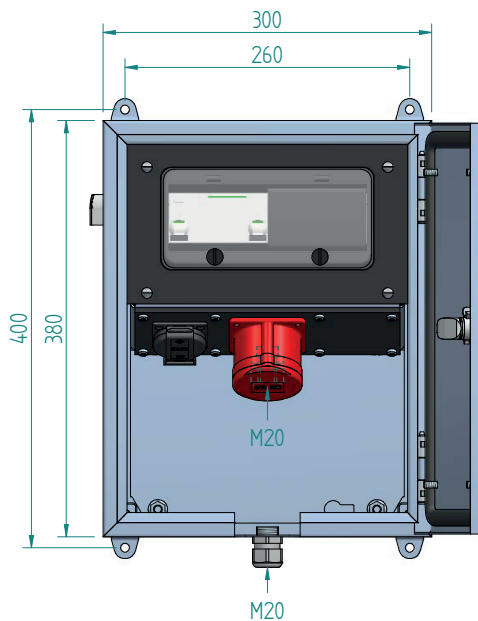
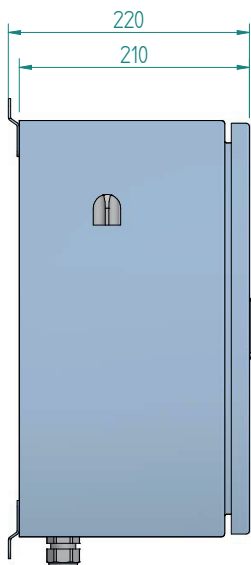
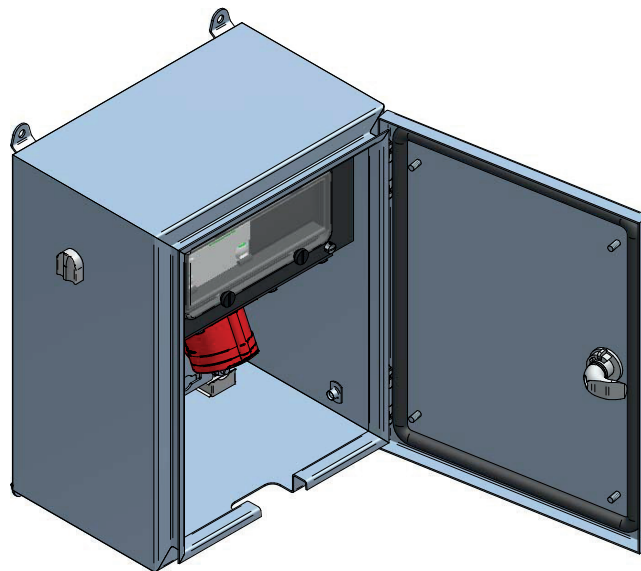
1 socket CEE 400V/16A 3P+N+E IP44

1 RCD SE 3N-40A/30mA 10kA

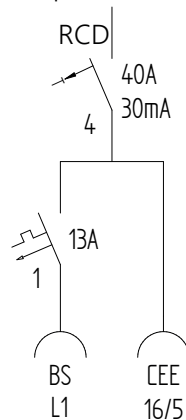
1 terminal WOERTZ 6mm<sup>2</sup> yellow-green

1 self-sealing cable grommet M20 (cable Ø9-12mm)

1 cable gland M20×1.5 IP68 (cable Ø10-14mm)



max. pre-fuse 16A



# Recessed mounted cabinet

Item no. 269989

## Recessed mounted cabinet in stainless steel

- brushed stainless steel 1.4301 (V2A)
- with lockable cable outlet for use in closed state
- with 8mm square lock (other locks on request)
- with hard rubber power distribution box type 3800

Dimension: 480×650×200mm

## Equipment:

3 sockets British Standard 250V/13A P+N+E IP54

1 socket CEE 400V/16A 3P+N+E IP44

1 socket CEE 400V/32A 3P+N+E IP44

1 RCD SE 3N-63A/30mA 10kA

1 automatic cutout SE 3-13A 'C' 6kA

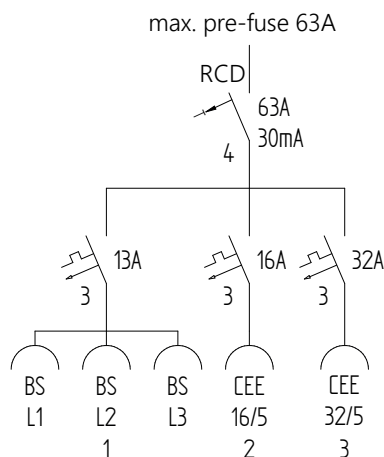
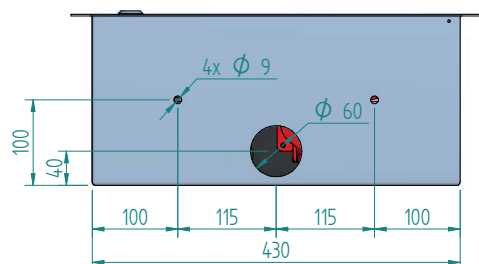
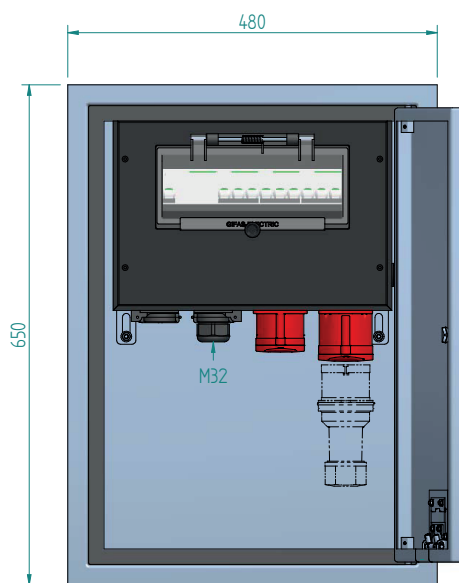
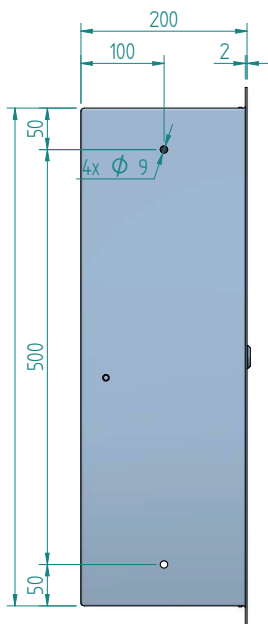
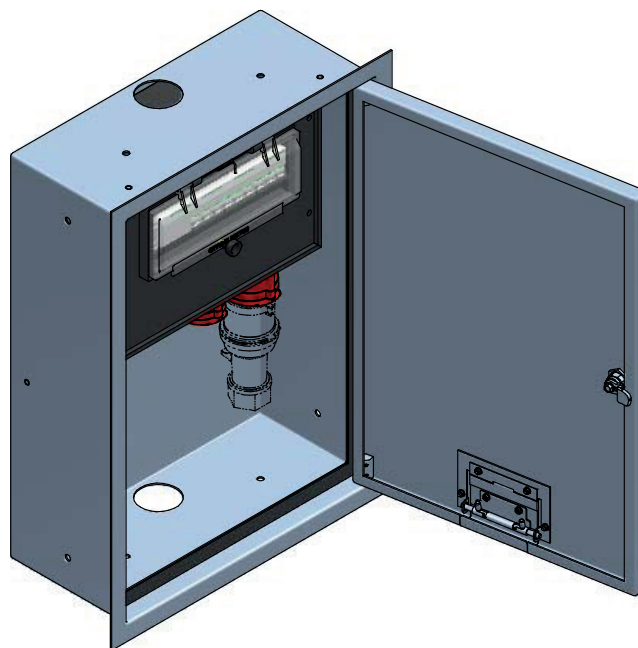
1 automatic cutout SE 3-16A 'C' 10kA

1 automatic cutout SE 3-32A 'C' 10kA

1 terminal WOERTZ 16mm<sup>2</sup> yellow-green

1 self-sealing cable grommet M20 (cable Ø9-12mm)

1 cable gland M32×1.5 IP68 (cable Ø18-25mm)



# Surface mounted cabinet

Item no. 269993

## Surface mounted cabinet in stainless steel

- - brushed stainless steel 1.4301 (V2A)
- - with cutout for cable for use in closed state
- - with 8 mm square lock (other locks on request)
- - door right-banding (as standard; on request also left-banding)
- - with hard rubber power distribution box type 3800

Dimension: 400×600×210 mm

## Equipment:

3 sockets British Standard 250V/13A P+N+E IP54

1 socket CEE 400V/16A 3P+N+E IP44

1 socket CEE 400V/32A 3P+N+E IP44

1 RCD SE 3N-63A/30mA 'type A' 10kA

1 automatic cutout SE 3-13A 'C' 6kA

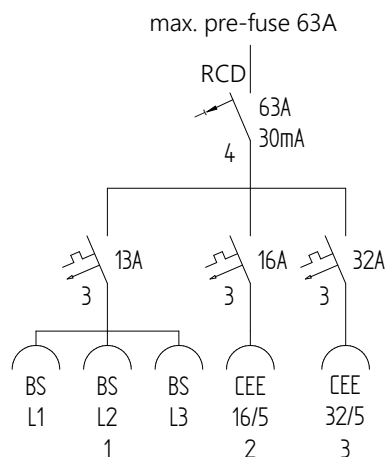
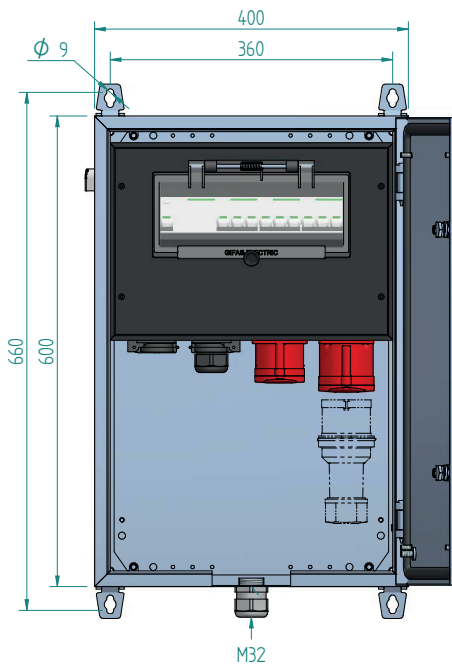
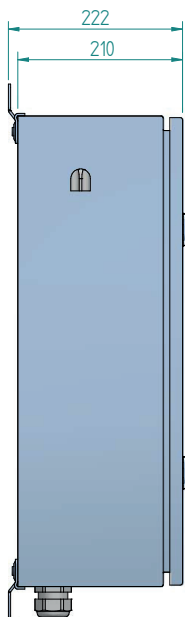
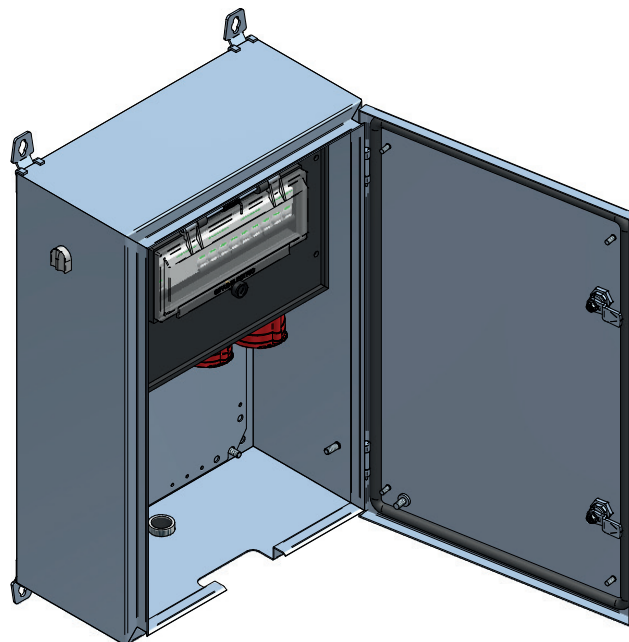
1 automatic cutout SE 3-16A 'C' 10kA

1 automatic cutout SE 3-32A 'C' 10kA

1 terminal WOERTZ 16mm<sup>2</sup> yellow-green

1 self-sealing cable grommet M20 (cable Ø9-12mm)

1 cable gland M32×1.5 IP68 (cable Ø18-25mm)



# Recessed mounted cabinet

Item no. 269991

## Recessed mounted cabinet in stainless steel

- brushed stainless steel 1.4301 (V2A)
- with lockable cable outlet for use in closed state
- with 8mm square lock (other locks on request)
- with hard rubber power distribution box type 3800/1616

Dimension: 610×650×200mm

## Equipment:

2 sockets British Standard 250V/13A P+N+E IP54

1 socket CEE 400V/16A 3P+N+E IP44

1 socket CEE 400V/32A 3P+N+E IP44

1 socket CEE 400V/63A 3P+N+E IP67

1 RCD 3N-63A/30mA 10kA

1 RCD 3N-63A/300mA 'type A' selective

2 automatic cutouts SE 1-13A 'C' 6kA

1 automatic cutout SE 3-16A 'C' 10kA

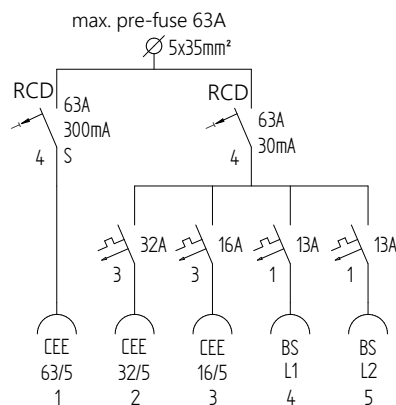
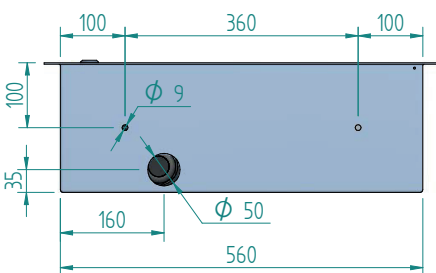
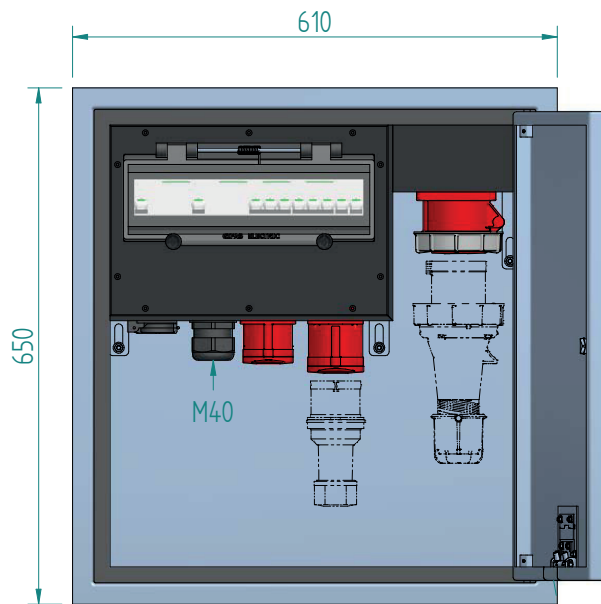
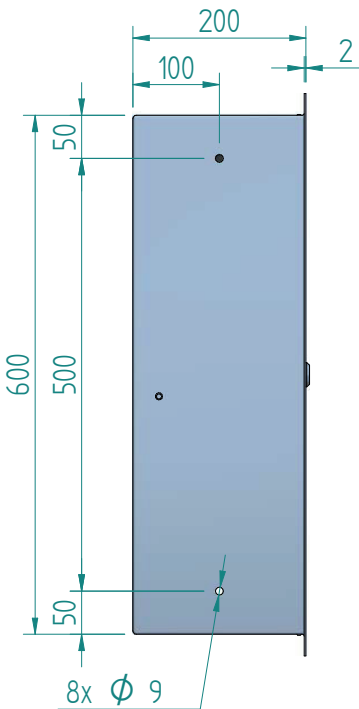
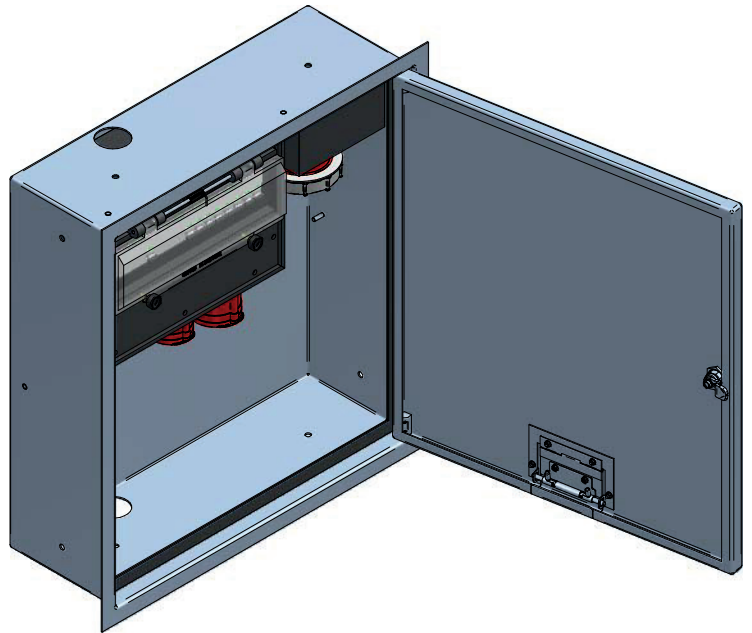
1 automatic cutout SE 3-32A 'C' 10kA

1 terminal block WOERTZ 35mm<sup>2</sup>

1 protective conductor terminal WOERTZ 16mm<sup>2</sup>

1 self-sealing cable grommet M20 (cable Ø9-12mm)

1 cable gland M40×1.5 IP68 (cable Ø22-32mm)



# Surface mounted cabinet

Item no. 269981

## Surface mounted cabinet in stainless steel

- brushed stainless steel 1.4301 (V2A)
- with cutout for cable for use in closed state
- with 8 mm square lock (other locks on request)
- door right-banding (as standard; on request also left-banding)
- with hard rubber power distribution box type 2516

Dimension: 600×600×210 mm

## Equipment:

3 sockets British Standard 250V/13A P+N+E IP54

1 socket CEE 400V/16A 3P+N+E IP44

1 socket CEE 400V/32A 3P+N+E IP44

1 socket CEE 400V/63A 3P+N+E IP67

1 RCD SE 3N-63A/30mA 10kA 'type A'

1 RCD SE 3N-63A/300mA 'type A' selective

1 automatic cutout SE 3-13A 'C' 6kA

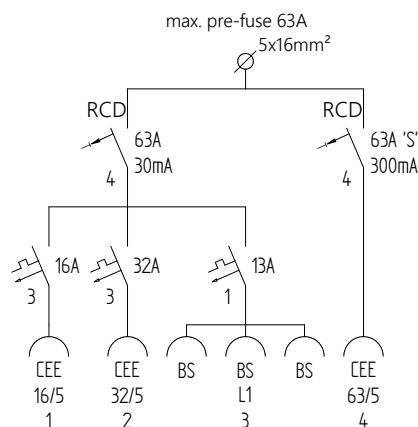
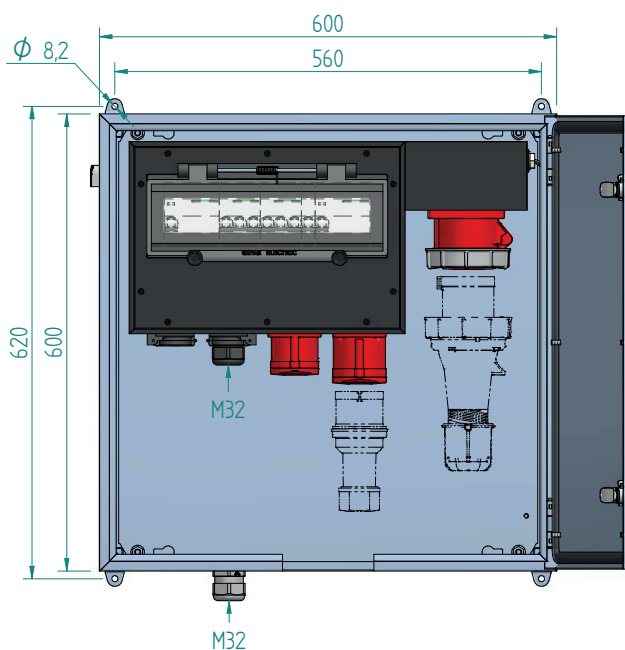
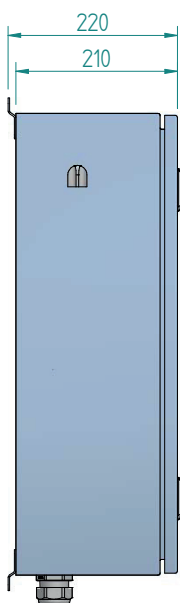
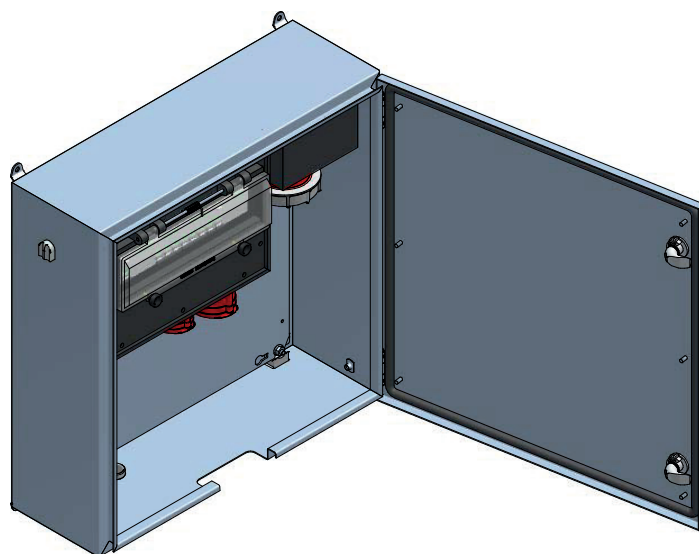
1 automatic cutout SE 3-16A 'C' 10kA

1 automatic cutout SE 3-32A 'C' 10kA

1 terminal block WOERTZ 16mm<sup>2</sup>

1 self-sealing cable grommet M20 (cable Ø9-12mm)

1 cable gland M32×1.5 IP68 (cable Ø18-25mm)



**GIFAS**  
ELECTRIC



**THE  
SOLUTION  
PARTNER**

GIFAS-ELECTRIC GmbH  
Dietrichstrasse 2  
CH-9424 Rheineck  
Switzerland

+41 71 886 44 44  
export@gifas.ch  
www.gifas.ch